



# Model 1-1/2C

## Ratchet Leverage Arbor Press Instruction and Parts list

### MODEL 1-1/2C

<u>Item</u>	<u>Part Name</u>	<u>Part No.</u>	<u>Qty</u>
1	Handwheel	167	1
2	Headless Set Screw	43589	1
3	Headless Set Screw	43590	1
4	Brake Spring	108	1
5	Tinners Rivet (1# per 1000)	43577	1
6	Ram (1 1/4" square x 24 1/2" long)	191	1
8	Rest Pin	174	1
9	Pawl	177	1
10	Pawl Pin	175	1
11	Leverweight	176	1
12	Headless Set Screw	43328	1
13	Headless Set Screw	43328	1
14	Retaining Ring	67424	1
15	Headless Set Screw	43590	1
16	Handle	179	1
17 & 18	Ram Cap Shim	69942	6
19	Spindle	180	1
20	Ram Cap	69940	1
21	Hex Cap Screw	43417	1
22 & 23	Table Plate Assembly	700807	1
24	Main Casting	69939	1

*Please contact factory for current prices.*

**Ordering information:** Please order all repair parts by part number and name, also mention model number of press. All parts are shipped F.O.B. Factory in Grand Haven, MI.

**Lubrication:** Keep all working parts of the press well oiled for easier operation. Also keep a light film of oil over the entire surface of the ram to prevent rust.

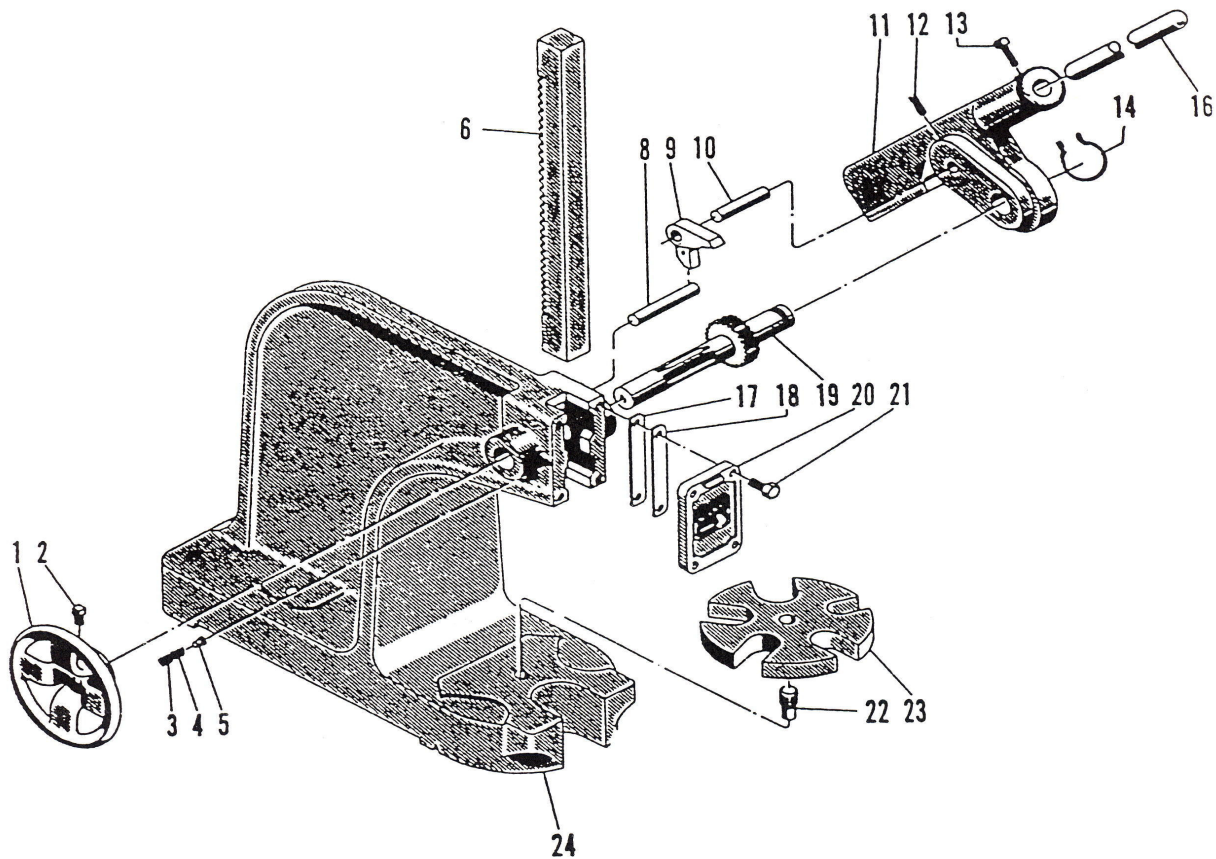
Distributed by: **Trick-Tools.com**



Trick-Tools  
80 Truman Road  
Pella, IA 50219

Phone: 1-877-VAN-SANT  
E-mail: sales@trick-tools.com





## SAFETY

**This is the safety alert symbol.** When you see this symbol on your press, be alert to the potential for personal injury.

### Follow recommended precautions and safe operating practices.

**Carefully read all safety messages in these instructions and on your press safety signs.** Keep safety labels in good condition. Replace missing or damaged safety labels.


**This machine is intended to be operated by one person.** This person should be conscious of the press ram movement not only for themselves but also for persons in the immediate area of the machine.

**Under no circumstances increase the leverage ratio of the press by using a longer handle or by placing a pipe over the handle.** Never hammer on top of the ram.

**NOTE:** Please refer to parts drawing for identification of components outlined on this safety warning sticker.

**Model:** 1 1/2C

**WARNING**



**Beware of pinch points, handle to frame and ram to table or work.**

**Beware handle can free fall if pawl and gear are not engaged.**

**Never pull handle beyond horizontal plane allowing disengagement of pawl and gear.**

**Always bring ram to work or table with handwheel while holding pressing handle up ensuring engagement of pawl and gear.**

Frame - Item 24 (Main Casting)  
Table Plate Assembly - Items 22 & 23

Pawl - Item 9  
Gear - Item 19 (Spindle)  
Handle - Item 16 (Spindle)

Handle - Item 16  
Pawl - Item 9  
Gear - Item 19 (Spindle)

Ram - Item 6  
Table Plate Assembly - Item 22 & 23  
Pawl - Item 9  
Gear - Item 19 (Spindle)  
Hand wheel - Item 1



**Safety**

This is the safety alert symbol. When you see this symbol on your press, be alert to the potential for personal injury.