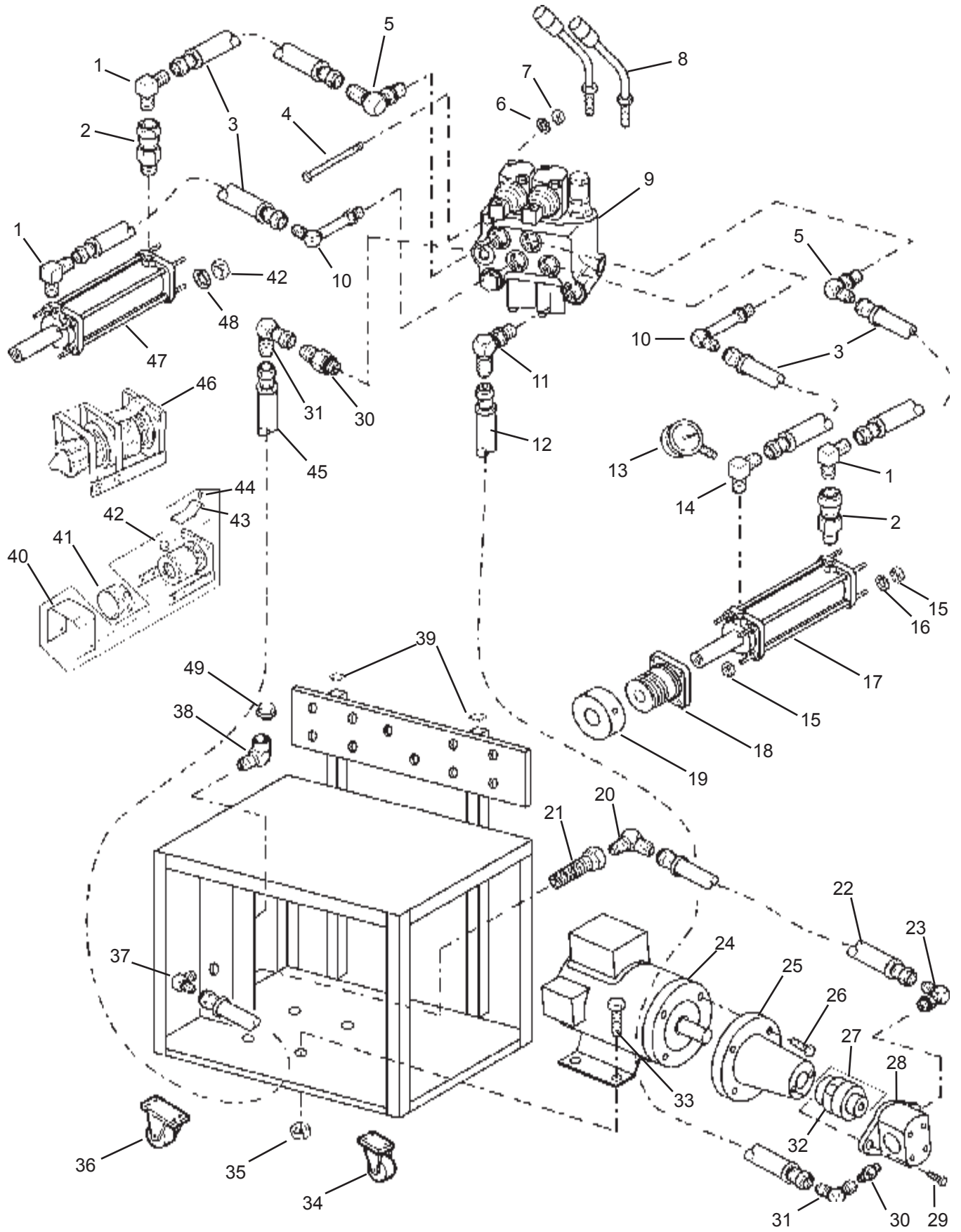


Section VI

Frame And Hydraulic Components - 1674



Frame And Hydraulic Components - 1674

REF.	PART NO.	DESCRIPTION	QUANTITY
1	92009	90 Ftg, 1/2ML NPT x 3/8ML JIC	3
2	92079	Fitting, Straight Swivel	2
3	92263	Hose, 3/8" Double Braid 5000 psi. 19" Long	4
4	97294	Hex Bolt, 5/16"-18x2-1/2"	2
5	92071	Fitting, Elbow, 90 Degree O-Ring	2
6	97296	Lockwasher, 5/16"	2
7	97295	Jam Nut, 5/16"-18	2
8	92109	Handle, Swage Valve	2
9	92112	Swage Valve, 2 Section with Handles	1
10	92065	Fitting, Elbow, 90 Degree O-Ring (long)	2
11	92004	Str. Ftg., 1/2" ML NPT x 3/8" ML JIC	1
12	92273	Hose, 3/8" Double Braid 5000 psi. 41" Long	1
13	92100	Pressure Gauge	1
14	92009DT	90 Ftg, 1/2ML NPT x 3/8ML JIC, DT	1
15	97292	Jam Nut, 3/4"	6
16	97293	Lockwasher, 3/4"	4
17	92389	Cylinder 5"	1
18	527	Adjustable Collar, 2-7/8" I.D. - 6" I.D.	1
19	528	Adjustable Collar Extension (for 527)	1
20	92010	90 Ftg, 1/2ML NPT x 3/8ML JIC	1
21	92045	Filter, Easy Flow	1
22	92246	Hose, 1/2" Suction 29" Long	1
23	92078	Fitting, Elbow, 90 Degree O-Ring	1
24	95019	Motor, 5 H.P., 60 Hz, Single-phase	1
	95020	Motor, 5 H.P., 60 Hz, 3-phase	1
25	95021	Mount, Motor-Pump	1
26	97400	Hex Bolt, 1/2"-13 x 3/4"	4
27	92356	Coupler, with Spyder	1
28	92114	Pump	1
29	97267	Hex Bolt, 3/8"-16 x 1	2
30	92006	Str, 3/8ML JIC x 1/2ML SAE O'R	2
31	92021	90 Elb, 3/8ML JIC x 3/8FM JIC SVL	2
32	92358	Spyder	1
33	97267	Hex Bolt, 3/8"-16 x 1"	4
34	97072	Swivel Caster	2
35	97225	Locknut, 3/8"-16	4
36	97073	Rigid Caster	2
37	92020	Fitting, Elbow, 90 Degree	1
38	92042	Fitting, Elbow, 45 Degree	1
39	97472	End Cap	2
40	41010	Guard Material	1
41	98043	Calibration Decal	1
42	97208	Jam Nut, 1/2"-13	6
43	595	Sight	1
44	97240	Cap Screw, 10-32x3/8"	2
45	92248	Hose, 3/8" Low Pressure Return 36-1/2" Long	1
46	41047	Adjustable Collar and Guard Assembly (includes #40, #42, #43, and #44)	1
47	92375	Cylinder 3-1/2"	1
48	97383	Lockwasher, 1/2"	4
49	839	Vent Cap	1

Distributed by: **Trick-Tools.com**

Trick-Tools
80 Truman Road
Pella, IA 50219

Phone:1-877-VAN-SANT
E-mail: sales@trick-tools.com



Here at Trick Tools we believe that our customers deserve the best value in their tool and equipment purchases. We are constantly at work searching out a variety of high quality, high performance tools to offer at the best prices possible. Our commitment to you is that we will not offer “cheap junk” anywhere on our website. You, the customer, help us to evaluate our products constantly and as soon as an ongoing quality issue is uncovered we will correct it or discontinue that product immediately. We hope to earn your continued trust.