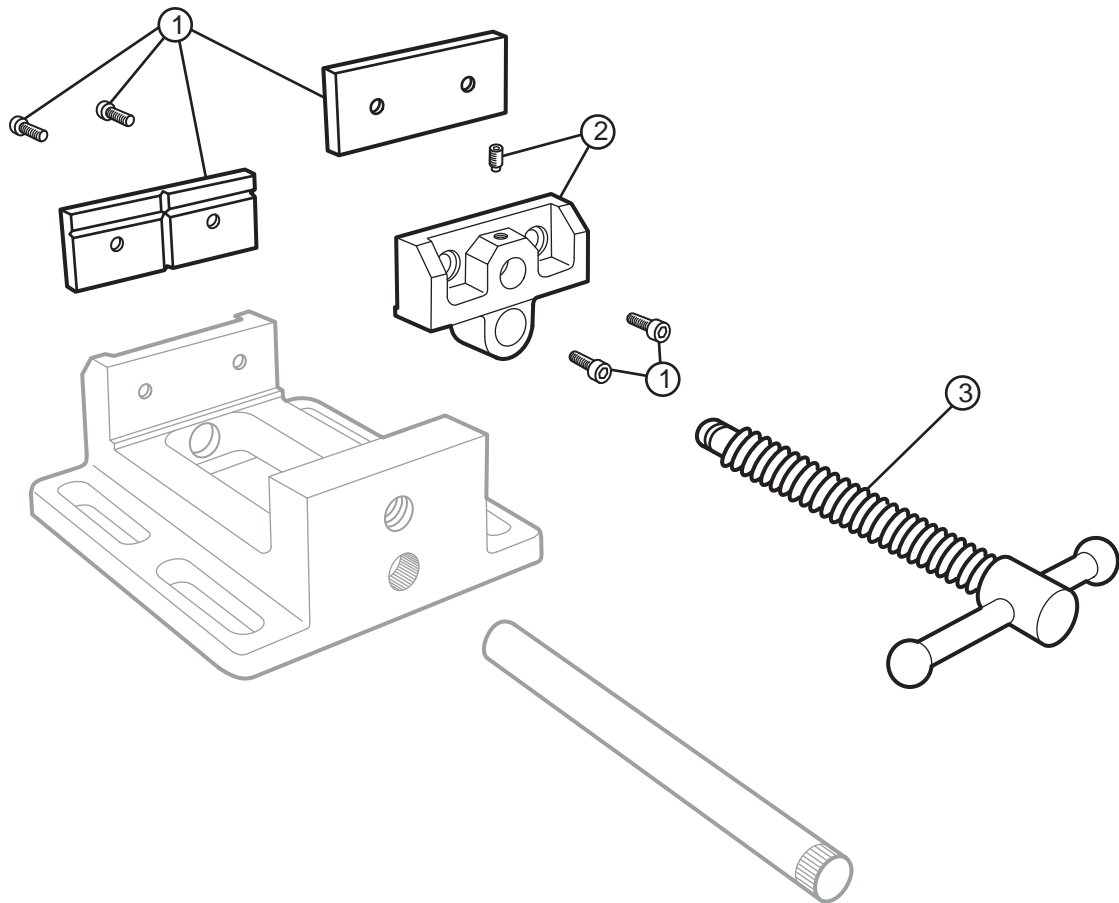




3" Low Profile Drill Press Vise - Parts Diagram

3" Jaw Width, 3" Jaw Opening, 1-1/8" Jaw Depth

Stock #: 11743 Model #: LP3



#	Part	Description
1	11743-01	Jaw Insert Assembly (4 screws)
2	11743-02	Movable Jaw & Screw
3	11743-03	Spindle & Handle Assembly

⚠ WARNING: This product can expose you to chemicals including lead which is known to the State of California to cause cancer and birth defects or other reproductive harm, and phthalates which are known to the State of California to cause birth defects or other reproductive harm. For more information go to <http://www.p65warnings.ca.gov>.



Trick-Tools.com

75 Truman Road

Pella, IA 50219

Phone: 1-877-VAN-SANT

E-mail: sales@trick-tools.com

