

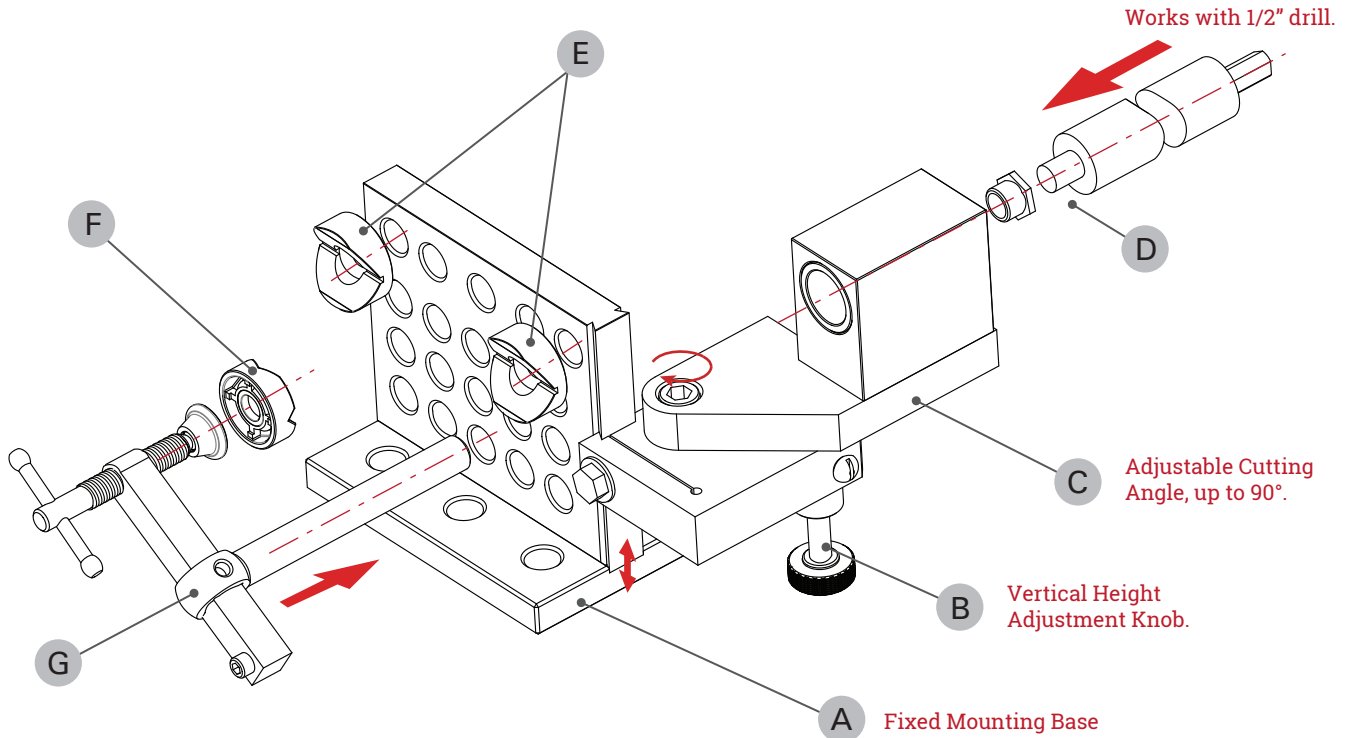
# ASSEMBLY INSTRUCTIONS

BuildPro<sup>®</sup> Tubing Notcher (Part No. ATN100)



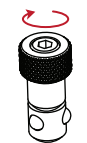
Cut notches in 1" ~ 2-1/2" O.D. tubing. Adjust cutting angle up to 90°.

## » Packing List



A	Fixed Base of Tube & Pipe Notcher	1
B	Vertical Height Adjustment Knob	1
C	Rotating Support Block w/ Angle Scale	1
D	Cutter Bar with Adaptor Nut	1
E	Aluminum V-Blocks for tube locating.	2
F/G	Clamp with Magnetic Top V-Pad	1

## » Accessories Available Separately



T55015  
x 4 pcs.

or

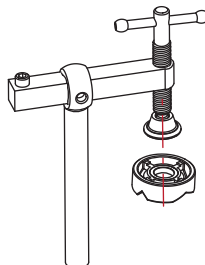


T831612  
x 4 pcs.

1-1/4  
shoulder  
length

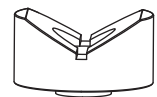
BuildPro<sup>®</sup> Ball Lock Bolts or  
Socket Shoulder Screws

[to mount the Notcher on the BuildPro<sup>®</sup> Tabletop]



ATNC50

Clamp with Magnetic V-Pad



T54216

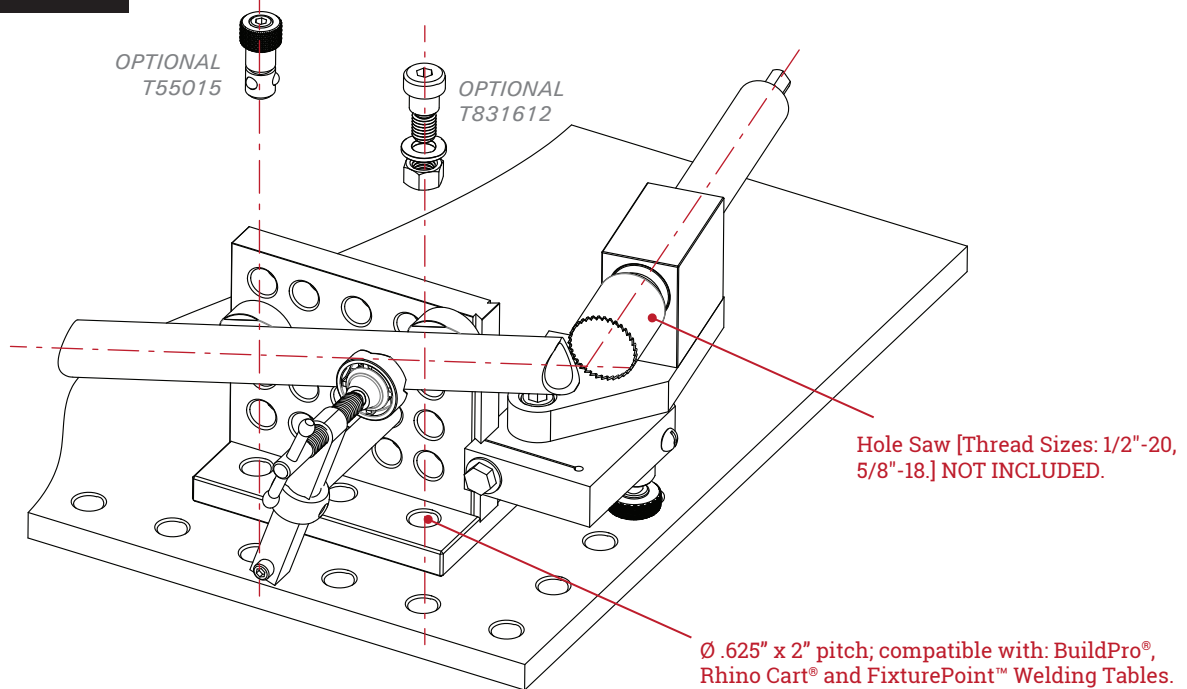
Aluminum V-Block

# USAGE INSTRUCTIONS

BuildPro<sup>®</sup> Tubing Notcher (Part No. ATN100)

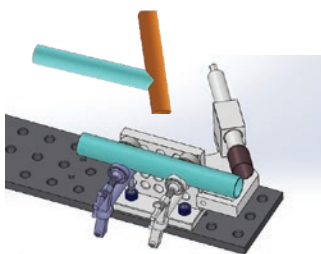
**PATENT  
PENDING**

## » How to use



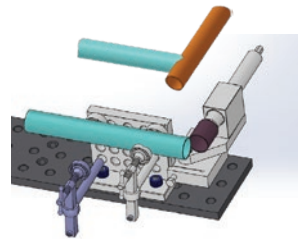
1. Mount the fixed base(A) of the fully assembled BuildPro<sup>®</sup> Notcher on the BuildPro<sup>®</sup> Tabletop, using four pieces of BuildPro<sup>®</sup> Ball Lock Bolts, Part No. T55015. [NOT. Incl.] or Socket Shoulder Screws, Part No. T831612. [NOT. Incl.]
2. Insert the Cutter Bar(D) through the open channel of the Rotating Support Block(C). Install the Hole Saw.
3. Adjust the placement of the two V-Blocks(E) and the Clamp(G) as required for the desired notch angle. Set the desired height and angle using the Vertical Height Adjustment Knob(B) and Rotating Support Block w/ Angle Scale(C).

## » Applications

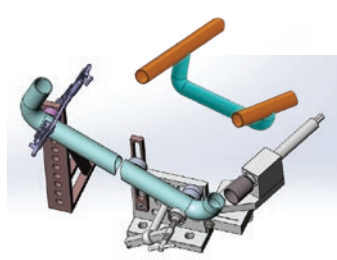


(Shown with BuildPro<sup>®</sup> Plate)

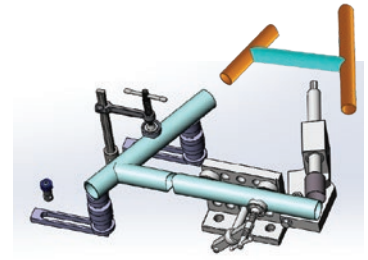
45°



90°



Compound Angles



Reference Angles

Visit [StrongHandTools.com](http://StrongHandTools.com) for info on the standard BuildPro<sup>®</sup> components used in these setups.

## Safety

ALWAYS wear safety goggles, gloves, and other appropriate safety items for protection. Use the notcher only for its intended purpose. Do not drop the notcher, throw it, or otherwise misuse the notcher.

## Limited 1 Year Warranty

Each STRONG HAND TOOLS<sup>®</sup> product is warranted to be free from defects in material and workmanship. Return to place of purchase for a replacement if warranty applies.