

## Vertical Table and Blade Guards

Order by Saw Model Number.  
Table sold with blade guard.

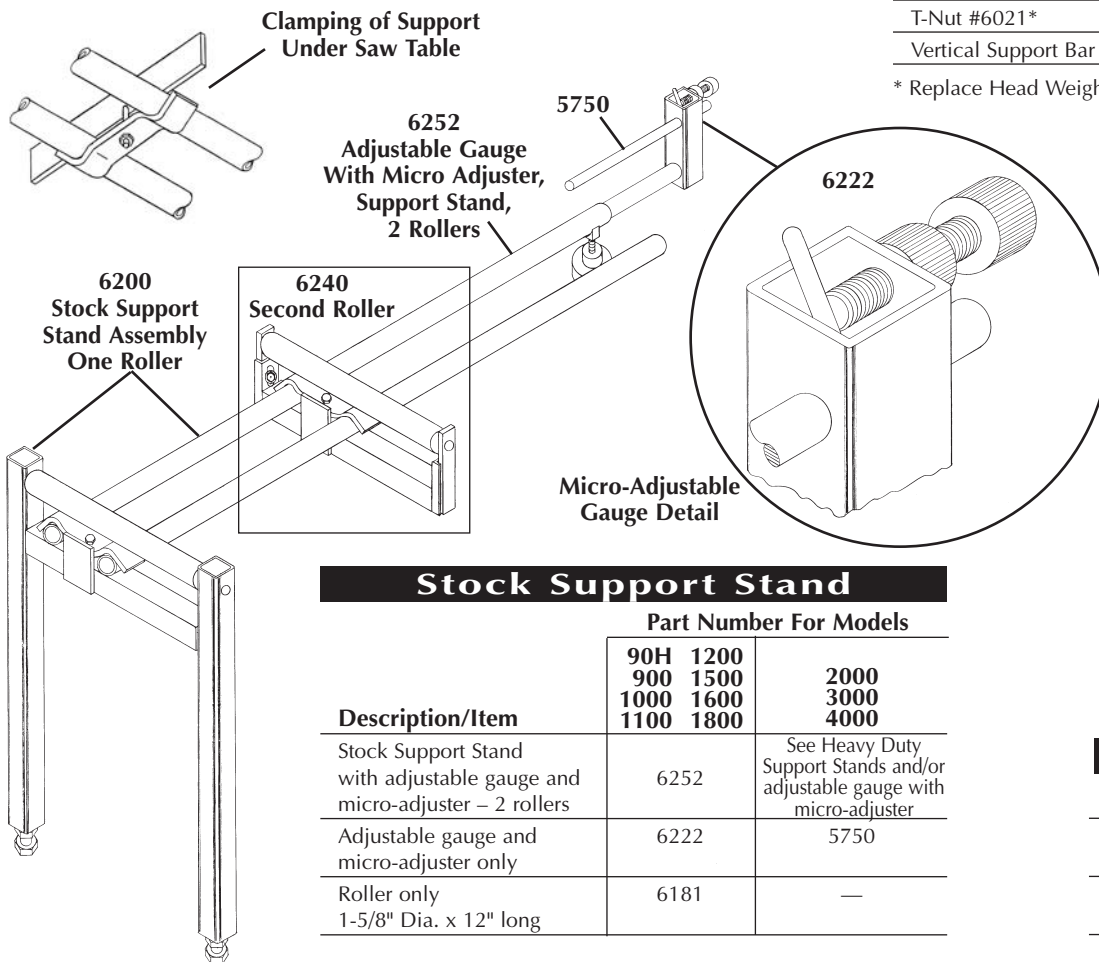
### Part Number For Models

Description/Item	Part Number For Models			
	90H 900 1100 1200	1500	1600	1800
Vertical Table #9374	✓		✓	
Vertical Table #5661		✓		
Vertical Table #6040				✓
Blade Guard #6041	✓	✓	✓	✓
T-Nut #6021*				✓
Vertical Support Bar #6022				✓

\* Replace Head Weight Adjustment Handwheel with 6021 T-Nut

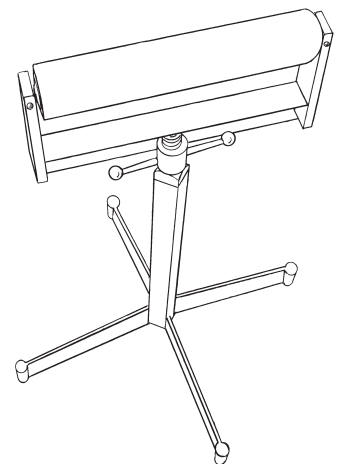
### Heavy Duty Support Stands

Saw Model	Unit No.	Roller Only	Length	Width	Roller Dia.	Height
3000 - 4000	6227	6198	5ft	20"	2.38"	24"
1800 - 2000	6228	6198	5ft.	20"	2.38"	22.5"
3000 - 4000	6225	6193	5ft.	12"	2.38"	24"
1800 - 2000	6229	6193	5ft.	12"	2.38"	22.5"



## Stock Support Stand

Description/Item	Part Number For Models		
	90H 900 1000 1100	1200 1500 1600 1800	2000 3000 4000
Stock Support Stand with adjustable gauge and micro-adjuster – 2 rollers	6252		See Heavy Duty Support Stands and/or adjustable gauge with micro-adjuster
Adjustable gauge and micro-adjuster only	6222		5750
Roller only 1-5/8" Dia. x 12" long	6181		—



## Single Stock Stand

Description	Part No.
Single Stock Stand Self Supporting Adjustable	6185
Roller Only 2" diameter x 12"	6193