

# BENCH PRESS LOUVER TOOLING

- 1" LOUVER START UP KIT 2200-LA-01
- 2" LOUVER START UP KIT 2200-LA-02
- 3" LOUVER START UP KIT 2200-LA-03
- 3" DOME LOUVER START UP KIT  
2200-LA-06
- 4" LOUVER START UP KIT 2200-LA-04
- 5" LOUVER START UP KIT 2200-LA-05

TOOLING ADAPTER  
#2200-021

5/16 x 1.25"  
SHOULDER BOLT

UPPER SPRING  
STOP #500-008  
SIDES WITH SPRING  
HOLES MARKED WITH  
#1 OR #3  
(SEE PAGE 2)

SPRING (3 PCS.)  
#500-502

LOWER SPRING  
STOP #500-007  
SIDES WITH SPRING  
HOLES MARKED WITH  
#2 OR #4  
(SEE PAGE 2)

URETHANE FILLER  
1" #500-061  
2" #500-062  
3" #500-063  
4" #500-064  
5" #500-065

DIE  
1" #500-029  
2" #500-023  
3" #500-014  
4" #500-013  
5" #500-012

DIE ADAPTER PLATE  
#500-031  
REQUIRED ON 1", 2", 3" ONLY

PUNCH

- 1" #500-028
- 2" #200-024
- 3" #500-011
- 3" DOME #500-015
- 4" #500-010
- 5" #500-009

SHEAR PLATE

- 1" #500-030
- 2" #500-027
- 3" #500-016
- 4" #500-006
- 5" #500-006

3/8-16 x 1-1/2" SHCS.  
(2 PCS. 5", 4")

1/4-20 x 1-1/4" SHCS.  
(2 PCS. 1", 2", 3")

1/4-20 x 1" SHFS.  
(2 PCS.)

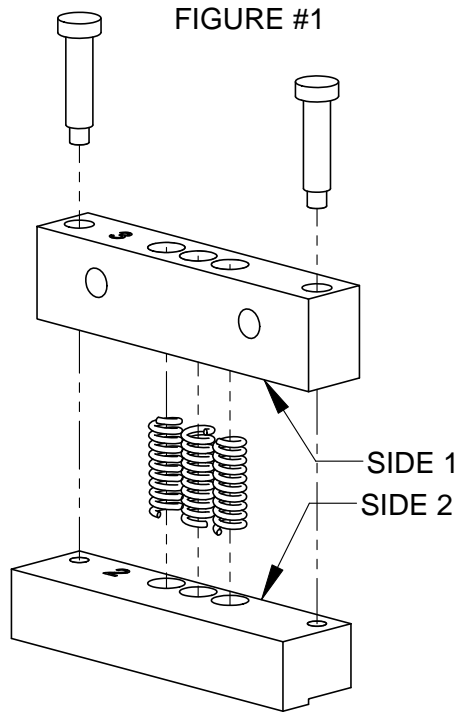
5/16-18 x 3/4" SHFS.  
(4 PCS.)

TOOLING MOUNTING  
PLATE #2200-023

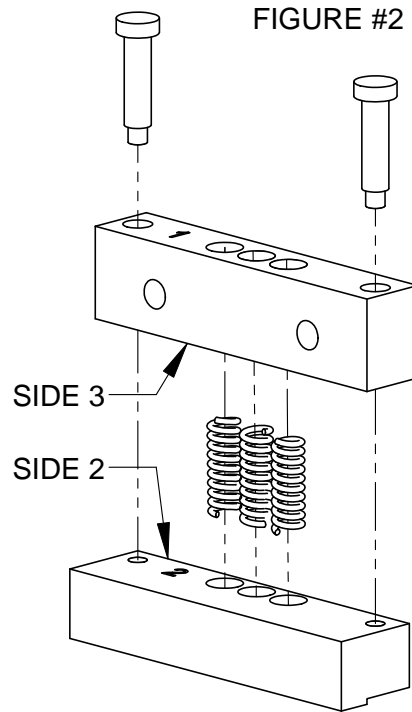
3/8-16 x 1" SHCS.  
(2 PCS.)

3/8" WASHER  
(2 PCS.)

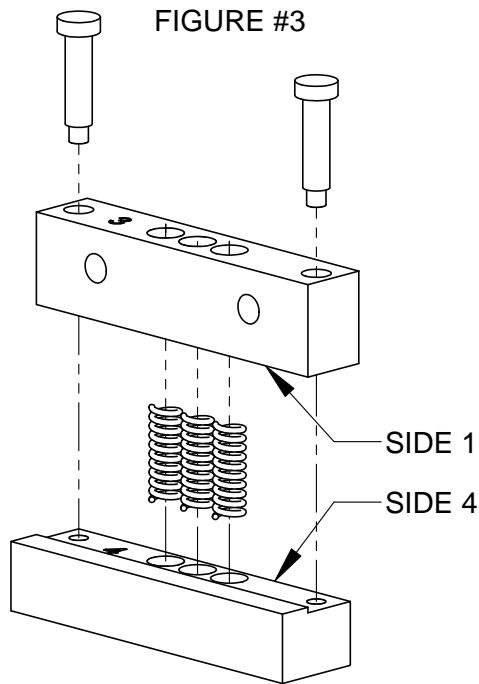
# BENCH PRESS LOUVER TOOLING



1", 2", 3" ASSEMBLY  
MATE SIDE 2 ON THE LOWER SPRING STOP  
WITH SIDE 1 ON THE UPPER SPRING STOP



3" DOME ASSEMBLY  
MATE SIDE 2 ON THE LOWER SPRING STOP  
WITH SIDE 3 ON THE UPPER SPRING STOP



4', 5" TAPER POINT PUNCH ASSEMBLY (INTRODUCED 11/1/2009)  
MATE SIDE 4 ON THE LOWER SPRING STOP  
WITH SIDE 1 ON THE UPPER SPRING STOP

NOTE: 4", 5" STRAIGHT PUNCH ASSEMBLY (PURCHASED PRIOR TO  
11/1/2009) USE FIGURE #1