

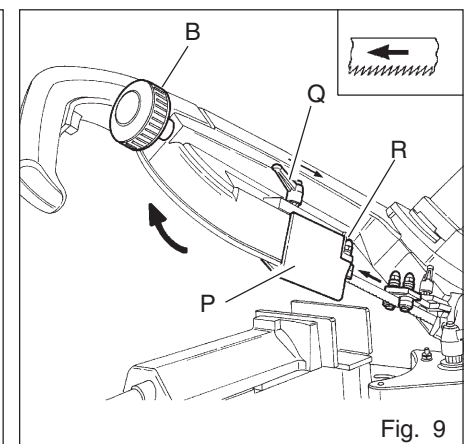
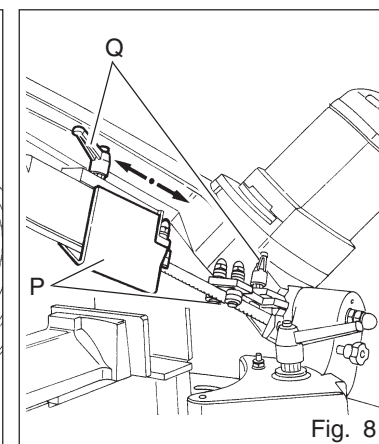
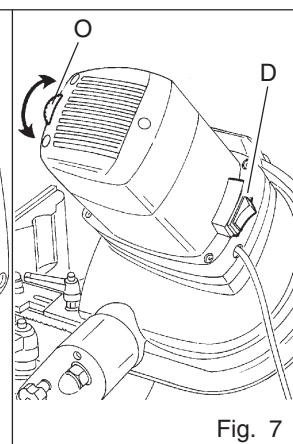
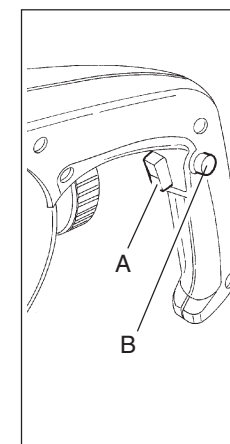
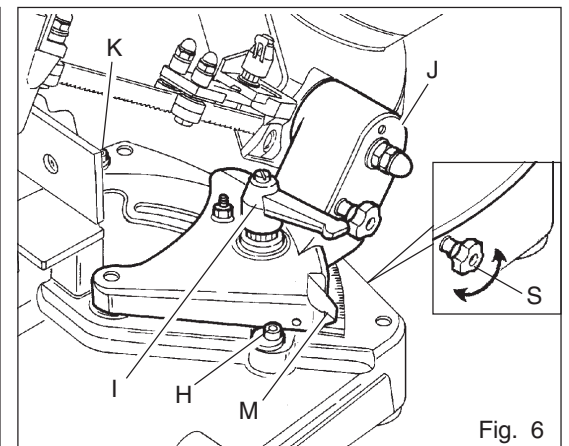
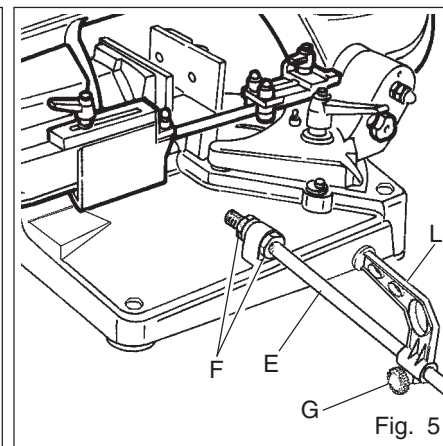
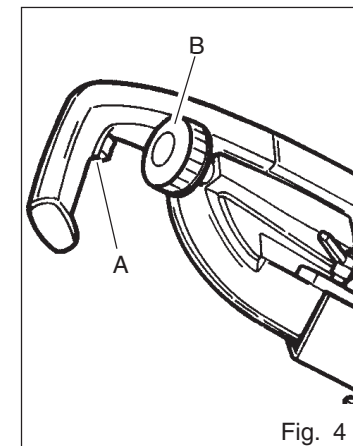
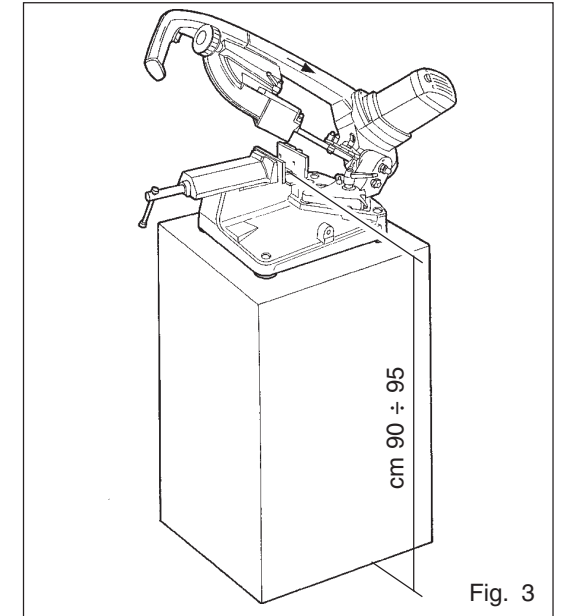
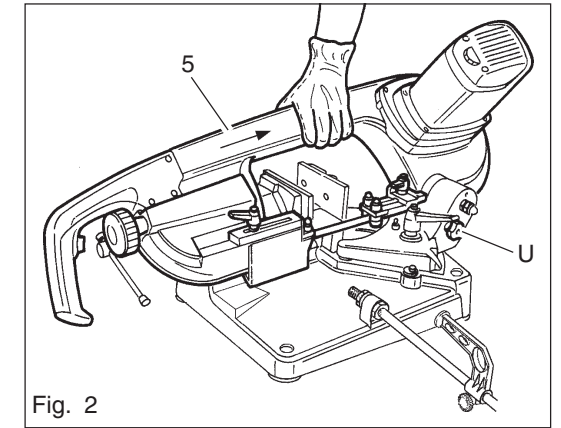
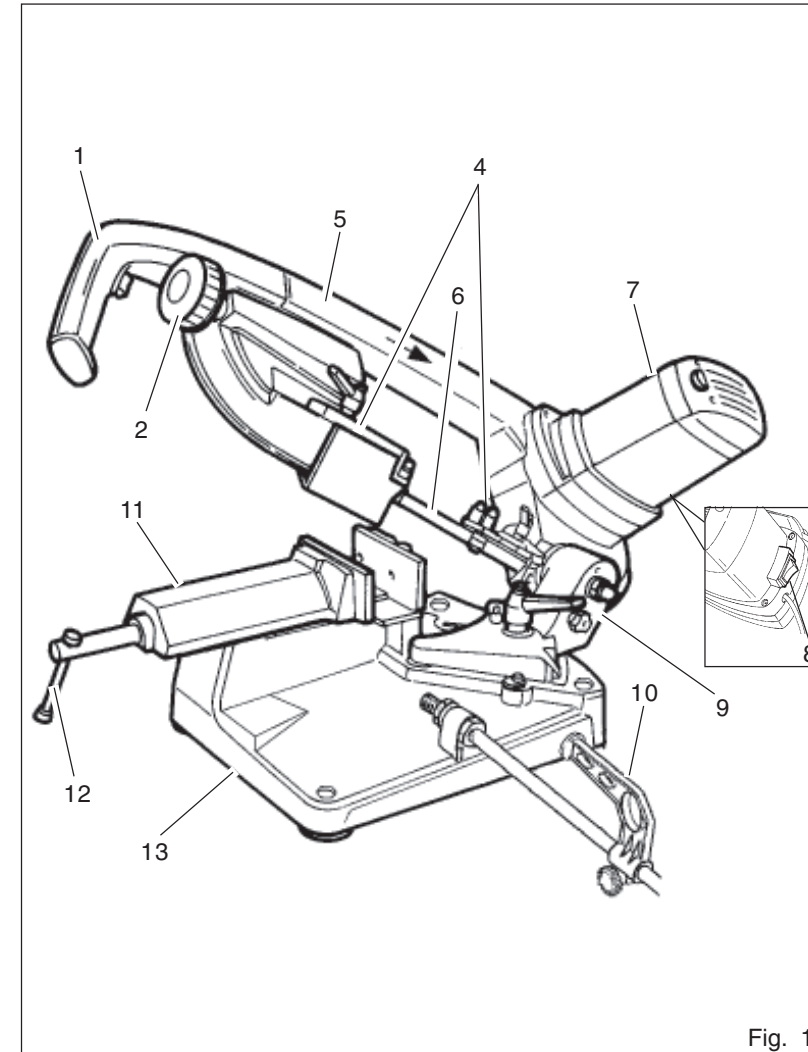
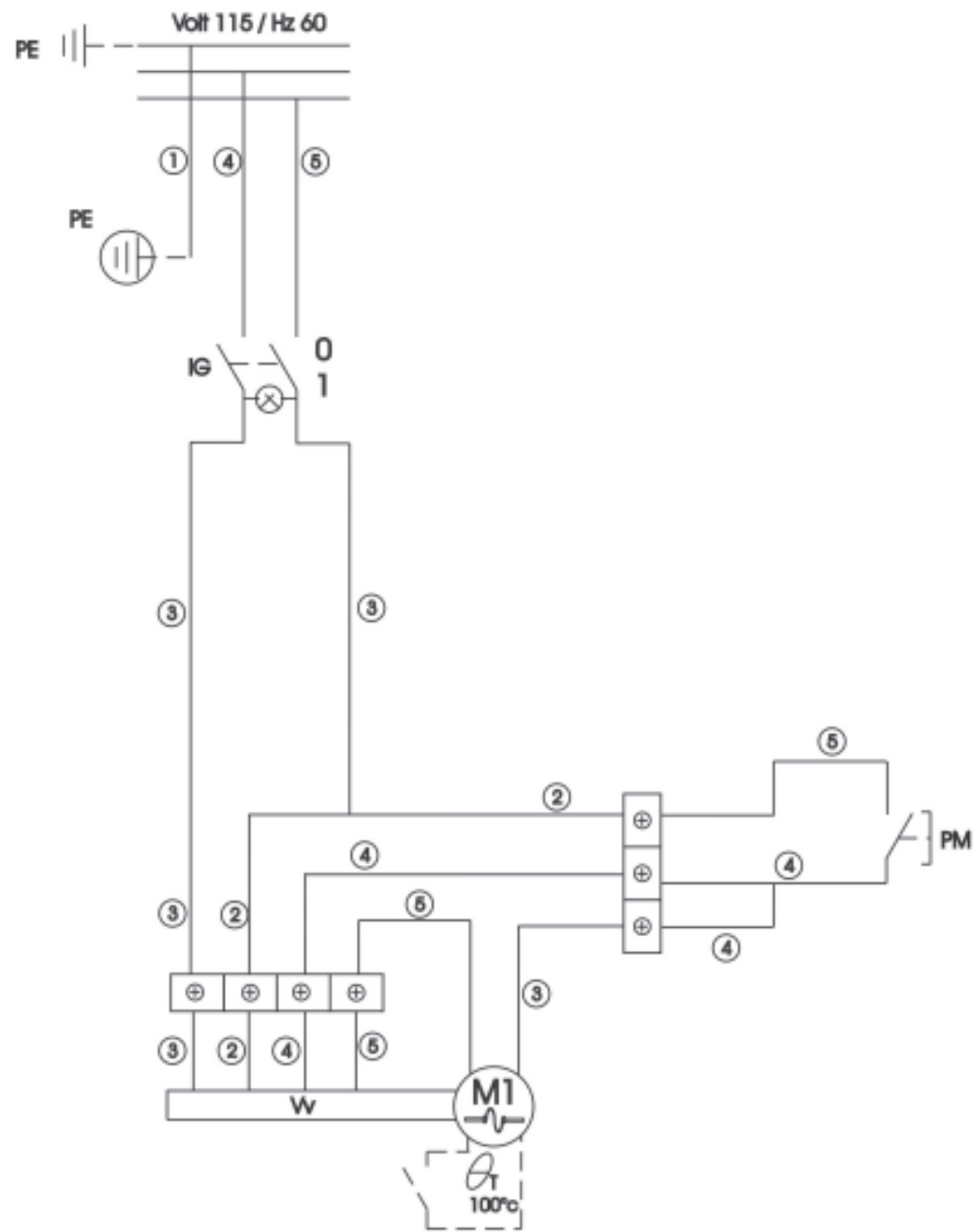
Distributed by: **Trick-Tools.com**

Trick-Tools  
80 Truman Road  
Pella, IA 50219

Phone:1-877-VAN-SANT  
E-mail: [sales@trick-tools.com](mailto:sales@trick-tools.com)

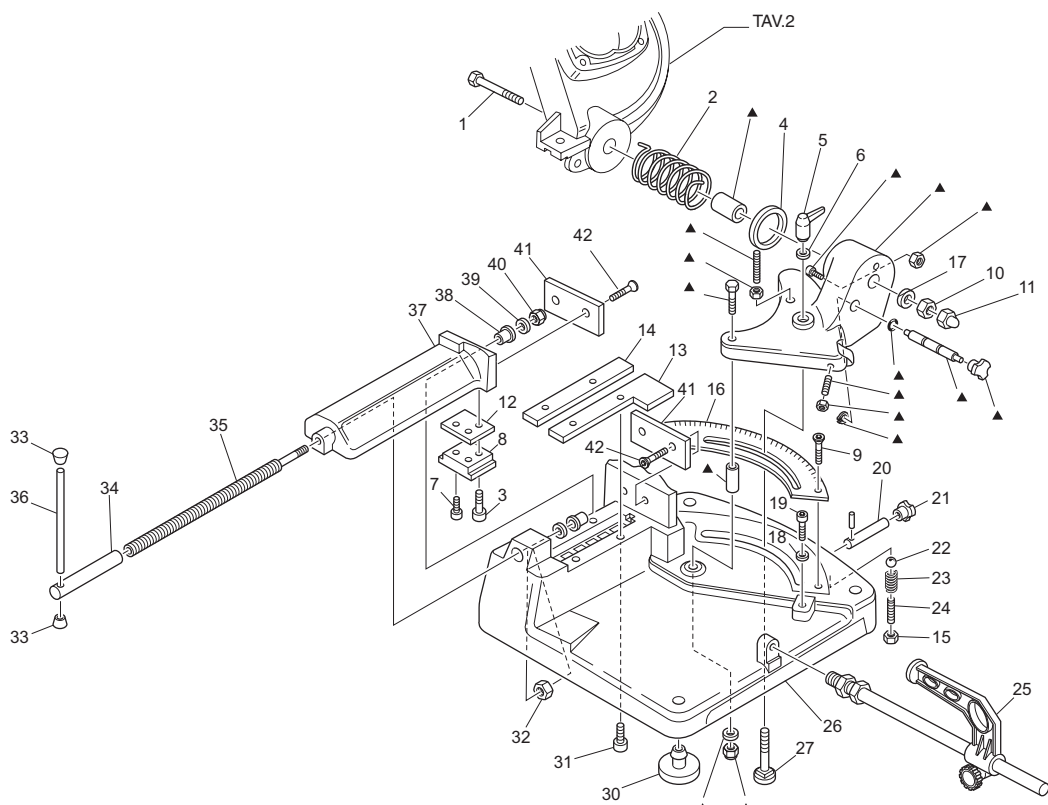


Here at Trick Tools we believe that our customers deserve the best value in their tool and equipment purchases. We are constantly at work searching out a variety of high quality, high performance tools to offer at the best prices possible. Our commitment to you is that we will not offer “cheap junk” anywhere on our website. You, the customer, help us to evaluate our products constantly and as soon as an ongoing quality issue is uncovered we will correct it or discontinue that product immediately. We hope to earn your continued trust.



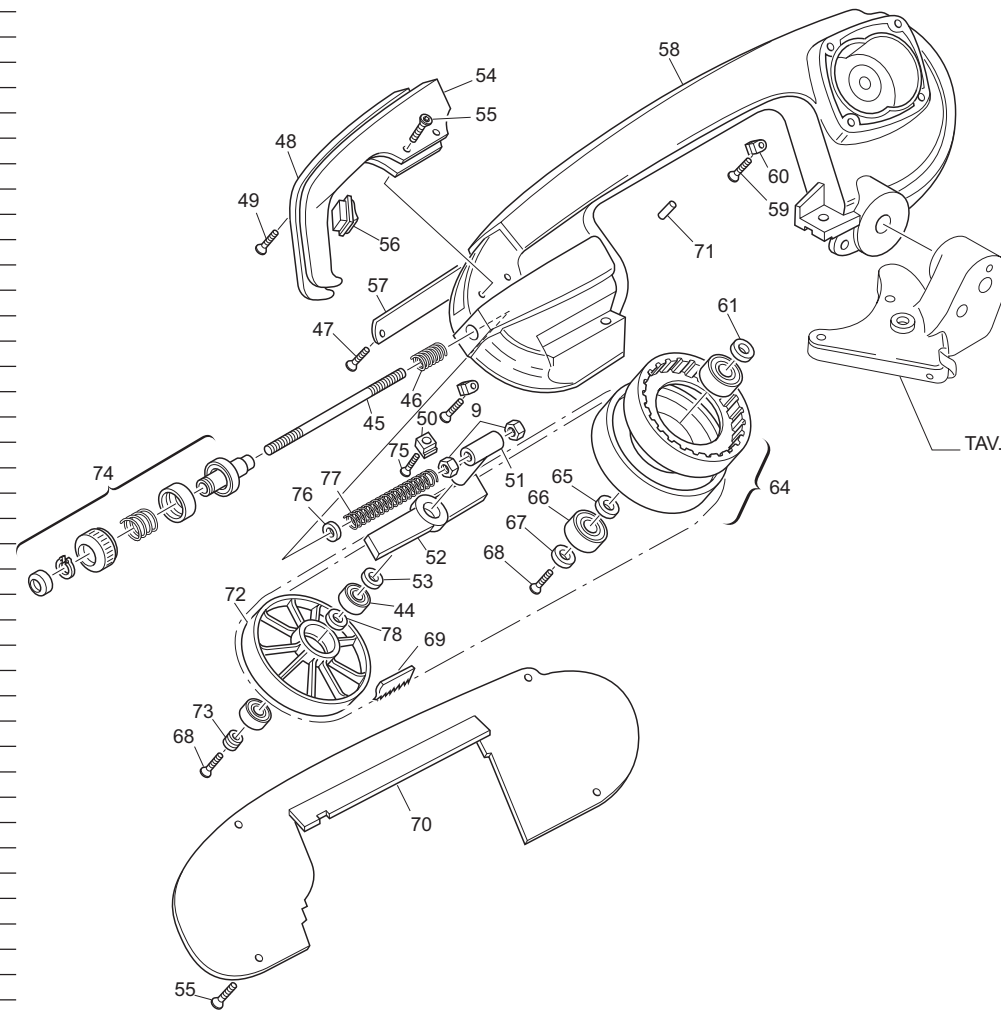
	ITALIANO	ENGLISH	DEUTSCH
PE	Circuito di protezione	Protection circuit	Erdung
IG	Interruttore generale luminoso	Main switch	Hauptschalter
PM	Pulsante di marcia	Run button	Handschalter
T	Disgiuntore termico di protezione	Thermal cut-off	Hitzeschutzunterbrecher
Vv	Vanatore di velocità	Cutting speed adjustment	Geschwindigkeitsvariator
M1	Motore V 230 Hz 50/60 850 Watt	Motor V 230 Hz 50/60 850 Watt	Motor V 230 Hz 50/60 850 Watt
1	G/V	Y/G	G/G
2	Rosso	Red	Rot
3	Nero	Black	Schwarz
4	Blu	Blue	Blau
5	Marrone	Brown	Braun
	FRANCAIS	ESPAÑOL	PORTUGUÊS
PE	Circuit de protection	Circuito de proteccion	Circuito de protecao
IG	Interrupteur général	Interrupteurgeneral	Interruptor general
PM	Bouton de marche	Pulsador de marcha	Botao de arranque
T	Disjoncteur thermique de protection	Disyuntar de proteccion	Disjuntor térmico de protecao
Vv	Variateur de vitesse	Variador de velocidad	Reostato de velocidade
M	Moteur V 230 Hz 50/60 850 Watt	Motor V 230 Hz 50/60 850Watt	Motor V 230 Hz 50/60 850 Watt
1	J/V	A/V	A/V
2	Rouge	Rojo	Vermelino
3	Noir	Negro	Preto
4	Bleu	Azul	Azul
5	Marron	Marron	Castanho

NR. 1



POS. COD./KOD. NOTE/MERKE/NOTES/ NR. 3  
NOTA/NOTAS

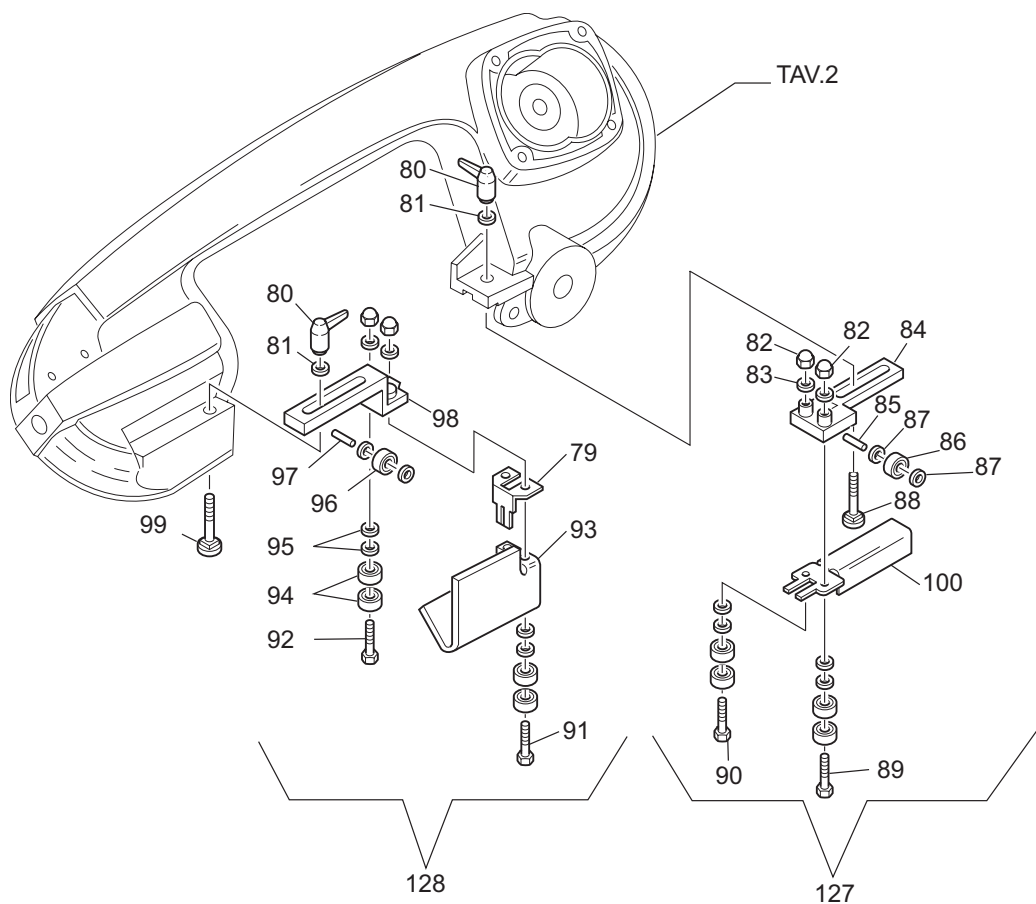
1	5.10.00.76	
2	5.08.01.16	
3	UNI 5931 M5 x 45	
4	0.15.51.43	
5	0.14.70.02	
6	0.12.07.10	
7	UNI 5931 M5 x 20	
8	5.13.04.28	
9	DIN 7500 M5x15	
10	UNI 5589 M10 x 1,5	
11	UNI 5721 M10	
12	5.13.04.16	
13	5.13.04.26	
14	5.13.08.15	
15	UNI 5588 M6	
16	5.18.17.22	
17	0.12.07.10	
18	5.12.40.29	
19	DIN 7500 M6 x 10	
20	5.17.10.47	
21	0.14.00.85	
22	0.17.00.04	
23	5.08.10.25	
24	UNI 5923 M6 x 14	
25	7.13.05.52	
26	5.04.35.60	
27	UNI 5732 M10 x 60	
28		
29		
30	5.13.77.93	
31	UNI 5931 M6 x 20	
32	UNI 5588 M16	
33	5.15.00.05	
34	5.06.30.34	
35	5.10.03.21	
36	5.14.20.14	
37	5.04.27.54	
38	0.06.30.41	
39	0.15.51.50	
40	UNI 7474 M8	
41	5.15.25.97	
42	UNI 5933 M6 x 10	
43		
44	0.59.60.02	
45	5.10.05.07	
46	0.08.02.56	
47	DIN 7500 M4 x 8	
48	5.05.01.29	
49	UNI 6954 P8 x 25	
50	5.13.07.34	
51	5.00.15.72	
52	5.13.79.14	
53	0.15.51.52	
54	5.05.01.28	
55	DIN 7500 M5 x 10	
56	0.80.23.24	
57	5.18.17.27	
58	5.04.27.52	
59	DIN 7500 M4x 15	
60	5.15.41.03	
61	5.12.40.64	
62		
63		
64	7.21.42.12	
65	5.12.40.65	
66	0.60.62.05	
67	5.12.40.66	
68	UNI 5933 M6 x 15	
69	3.27.73.48	
70	5.18.17.28	
71	0.17.99.01	
72	5.21.42.25	



POS. COD./KOD. NOTE/MERKE/NOTES/ NR. 4  
NOTA/NOTAS

73	5.12.40.62	
74	7.13.05.89	
75	DIN 7500 M5 x 20	
76	0.12.40.26	
77	5.08.10.05	
78	5.12.06.63	
79	5.18.17.38	
80	0.14.70.00	
81	0.12.07.06	
82	UNI 5721 M6	
83	UNI 1751 Ø 6	
84	5.13.07.74	
85	0.17.40.16	
86	0.59.06.34	
87	0.12.90.04	
88	UNI 5732 M6 x 20	
89	5.10.00.75	
90	5.10.00.74	
91	5.10.00.65	
92	5.10.00.64	
93	5.87.17.96	
94	0.60.06.07	
95	5.12.06.38	
96	0.59.06.24	
97	0.17.40.22	
98	5.13.07.32	
99	UNI 5732 M6 x 30	
100	5.18.17.97	
101	5.15.45.01	
102	5.87.08.58	
103	DIN 7500 M4 x 25	
104	5.85.00.08	
105	7.01.31.50	
106	0.81.60.08	
107		
108	5.85.01.11	
109	7.82.01.08	
110	5.18.28.57	
111	UNI 6954 P6 x 25	
112	UNI 6954 P7 x 16	
113	0.80.23.16	
114	7.21.30.16	
115	5.18.25.42	
116	UNI 5931 M5x25	
117	0.60.06.08	
118	5.18.20.06	
119	5.06.30.40	
120	UNI 5931 M5x18	
121	0.60.60.01	
122		
123	5.02.41.20	
124	5.85.01.12	
125	5.06.10.38	
126	7.80.16.47	
127	7.13.25.08	
128	7.13.25.07	
129	5.18.28.56	
130	0.32.05.25	
▲	7.13.36.22	

NR. 2



NR. 4

