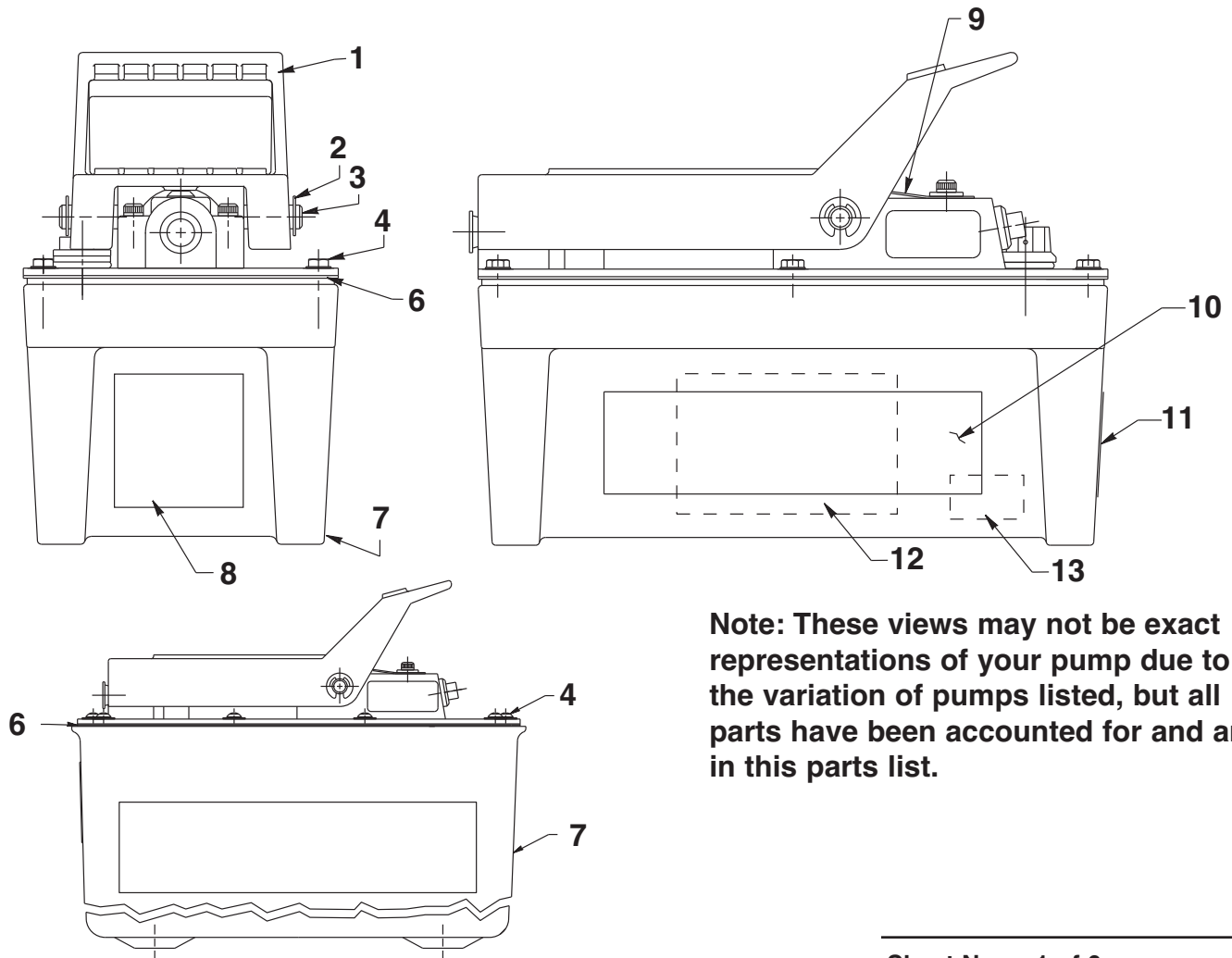


MODEL F AIR HYDRAULIC PUMP

This section covers these following pumps:

IMT200	PA6-CMS	PA6-PFAFF	PA6-2V	PA6M-CAR	PA6M-WCI	1U-7545
PA6	PA6-HUNT	PA6-PRO	PA6-2-FS-LR	PA6M-CHIEF	PA6M-1	203641-PF
PA6-AMH	PA6-HUTH	PA6-SEAL	PA6A	PA6M-DE-STA-CO	PA6M-1-CAR	58430
PA6-AW	PA6-HYDRA	PA6-TAL	PA6AM	PA6M-DK	PA6M-1-STEL	70130-Y12
PA6-AERO	PA6-KJ	PA6-2	PA6AUTO ROBOT	PA6M-PF	PA6M-2	(PA6M-DES-50)
PA6-AUTO	PA6-LUAM	PA6-2-CM	PA6E	PA6M-PFAFF	PA6N	910301
PA6-BEST	PA6-LUKAS	PA6-2E	PA6FACOM	PA6M-PL	PA6-SS	910303
PA6-CB	PA6-NT	PA6-2N	PA6M	PA6M-ROM	PA6V	

- More models are listed in Parts List 101950.-



Note: These views may not be exact representations of your pump due to the variation of pumps listed, but all parts have been accounted for and are in this parts list.

Two gallon reservoir.

Parts List, Form No. 101652, Back sheet 1 of 6

Item No.	Part No.	No. Req'd	Description	Item No.	Part No.	No. Req'd	Description
1	41322	1	Foot Pedal (For all except PA6AUTO ROBOT, PA6-TAL, PA6M-WCI, PA6-HUNT & PA6FACOM)	7	61243	1	Reservoir (Plastic; For PA6, PA6-AERO, PA6-AMH, PA6-AUTO, PA6-BEST, PA6-CB, PA6-HUTH, PA6A, PA6AUTO ROBOT, PA6-NT, PA6-PRO, PA6-LUKAS, PA6-PFAFF, 1U-7545, PA6-TAL, PA6-SS & PA6-AW)
	58605	1	Foot Pedal (For PA6FACOM)		41300WH2	1	Reservoir (Metal; For PA6-HYDRA, PA6AM, PA6M, PA6M-CHIEF, PA6M-WCI, PA6M-DE-STA-CO, PA6M-DES-50, PA6M-PL, PA6M-CAR, 910301, 910303, 58430, PA6-SEAL & PA6M-DK)
	58768BK9	1	Foot Pedal (For PA6AUTO ROBOT)		350887OR7	1	Reservoir (For PA6M-ROM)
	47696BK2	1	Hand Pedal (For PA6-TAL)		61368	1	Reservoir (For IMT200)
2	*11032	2	Retaining Ring (For all except PA6M-WCI & PA6-HUNT; For 3/8 shaft)		62007	1	Reservoir (For PA6-HUNT)
3	28386	1	Pin (For all except PA6-TAL, PA6-HUNT & PA6M-WCI)		41300RE2	1	Reservoir (For PA6FACOM & PA6M-PF)
	215709	1	Pin (For PA6-TAL)		45846	1	Reservoir (For PA6-LUAM)
4	211060	6	Screw (#9-15 X 1" Lg.; Torque to 25/35 in. lbs.; For PA6, PA6-AERO, PA6-AMH, PA6-AUTO, PA6-BEST, PA6-CB, PA6-HUTH, PA6-KJ, PA6-NT, PA6A, PA6-TAL, PA6-PRO, 1U-7545, PA6-LUKAS, PA6-PFAFF, PA6AUTO ROBOT, PA6-SS & PA6-AW)		309911	1	Reservoir (For PA6-KJ)
	211060	12	Screw (#9-15 X 1" Lg.; Torque to 25/35 in. lbs.; For IMT200)		64153OR9	1	Reservoir (For PA6M-1, PA6M-1-CAR & PA6M-1-STEL)
	215952	6	Screw (10-24 X 5/8; Self-Tapping; Torque to 35/42 in. lbs.; For PA6-LUAM, PA6AM, PA6FACOM, PA6M, PA6M-CHIEF, PA6-HYDRA, PA6M-PF, PA6M-PL, PA6M-WCI, 203641-PF, 58430, PA6M-ROM, PA6M-CAR, 910301, 910303, PA6M-DE-STA-CO, PA6M-DES-50, PA6M-PFAFF, PA6M-DK & PA6-CMS)		40063OR9	1	Reservoir (2 gal. metal; For PA6M-2)
	215952 & 251677	6	Screw (10-24 x 5/8; Self Tapping; Torque to 25/35 in. lbs.) and Seal Washer (.50 x .19; For PA6-SEAL only)		61165	1	Reservoir (2 gal. plastic; For PA6-2, PA6-2-FS-LR & PA6-2-CM)
	215952	8	Screw (10-24 X 5/8; Self-Tapping; Torque to 25/35 in. lbs.; For PA6-HUNT)		41300BL11	1	Reservoir (For 203641-PF)
	252168	10	Screw (Torque to 35/45 in. lbs.; For PA6-2 & PA6-2-FS-LR)		41300BL6	1	Reservoir (For PA6M-PFAFF)
	252168	14	Screw (Torque to 35/45 in. lbs.; For PA6-2-CM)		41300BK2	1	Reservoir (For PA6-CMS)
	10177	12	Screw (1/4-20 UNC X 3/4 Lg; Apply Loctite 242 or equiv.; Torque to 35/45 in. lbs.; For PA6M-1, PA6M-1-CAR & PA6M-1-STEL)	8	*305494	1	Decal (For PA6-AERO, PA6-AMH, PA6-CB, PA6-LUAM, PA6-2, PA6-2E, PA6-2N, PA6-2V, PA6AUTO ROBOT, PA6M-PF, PA6M-WCI, 203641-PF, 58430, 910301, 910303, PA6-2-FS-LR, PA6M-1, PA6M-2, PA6-2-CM, PA6-AW, PA6M-1-CAR & PA6M-1-STEL)
	10177	10	Screw (1/4-20 UNC X 3/4 Lg; Apply Loctite 242 or equiv.; Torque to 35/45 in. lbs.; For PA6M-2)		305494F	1	Decal (French; For PA6-PRO)
6	*33853	1	Reservoir Gasket (For all except PA6-2, PA6-2E, PA6-2N, PA6-2V, PA6M-1, IMT200, PA6-HUNT, PA6-2-FS-LR & PA6M-2)		251547	1	Instruction Decal (For HYP.23)
	*46271	1	Reservoir Gasket (For PA6M-1, IMT200, PA6M-1-CAR & PA6M-1-STEL)	9	302466	1	Spring Clip (For all except PA6AUTO ROBOT, PA6M-CHIEF, PA6M-PF, PA6-HUNT & PA6M-WCI)
	*47409	1	Reservoir Gasket (For PA6-2, PA6-2E, PA6-2N, PA6-2V, PA6M-2, PA6-2-FS-LR & PA6-2-CM)	10	305496	1	Trade Name Decal (For PA6-AMH, PA6-AUTO, PA6-BEST, PA6-HUTH, PA6-HYDRA, PA6-NT, PA6M-CHIEF, PA6M-DE-STA-CO, PA6M-DES-50, PA6-TAL, PA6M-PL & PA6-SS)
	*47675	1	Reservoir Gasket (For PA6-HUNT)		305496CE	1	Trade Name Decal (For PA6, PA6A, PA6AM, PA6M, PA6M-CAR & PA6-SEAL)
					213883	1	Trade Name Decal (For PA6AUTO ROBOT)
					350657	2	Decal (For PA6-CB)
					309219	2	Decal (For PA6-2-CM, PA6M-1-CAR & PA6M-1-STEL)
					309219CE	2	Decal (For PA6M-1, PA6-2 & PA6M-2)
					350643	2	Trade Name Decal (For 58430)
					13758	1	Trade Name Decal (For 1U-7545)
					212833	1	Trade Name Decal (For 910303)
					212834	1	Trade Name Decal (For 910301)
					252186	2	Trade Name Decal (For PA6-PFAFF & PA6M-PFAFF)
					350687	2	Trade Name Decal (For PA6-PRO)

Part numbers marked with an asterisk (*) are contained in a Repair Kit see sheet 6 of 6 for individual repair kit information.

Continued -

Item No.	Part No.	No. Req'd	Description
11	251762	1	Warning Decal (For PA6, PA6-2, PA6A, PA6M-KSHIM, PA6AM, PA6E, PA6M, PA6M-1, PA6M-2, PA6N, PA6M-CAR, PA6M-ROM, PA6-2-FS-LR, PA6V, PA6-2-CM, PA6-SS, PA6-AW, PA6M-1-STEL & PA6-CMS)
	251762-CE	1	Warning Decal (For PA6-PFAFF, PA6-PRO, PA6M-DE-STA-CO, PA6M-DES-50 & PA6M-PFAFF)
12	350568	1	Decal (For PA6AUTO ROBOT; Locate on opposite side as shown.)
	250614	1	Decal (For 910303; Locate on opposite side as shown.)
13	251731	1	Decal (For 910303; Locate on opposite side as shown.)

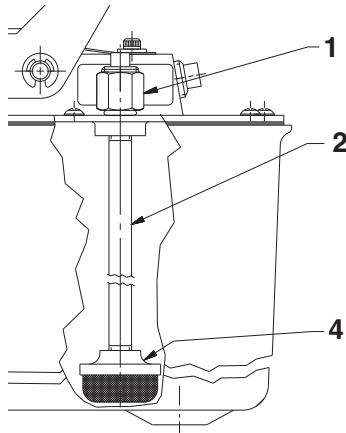
PARTS INCLUDED BUT NOT SHOWN

211060	4	Screw (#9-15 X 1" Lg.; Torque to 25/35 in. lbs.; For pump mounting purposes only; For PA6-HUTH, PA6-KJ, PA6N, PA6A, PA6, PA6-AW, PA6-AERO, PA6-AUTO, PA6-BEST, PA6-CB, PA6-TAL, PA6-LUKAS, PA6-PFAFF, PA6-PRO, PA6-SS)
215951	4	Screw (1/4-20 x 3/4; For pump mounting purposes only; For PA6-HYDRA)
252168	4	Screw (1/4-10 X 1 Lg.; For pump mtg. purposes only; For PA6-2 & PA6-2-FS-LR)

Item No.	Part No.	No. Req'd	Description
	10177	4	Screw (1/4-20 UNC X 3/4 Lg; For pump mounting purposes only; For PA6M-2)
	10469	1	Straight Fitting (3/8 NPTF; For PA6-KJ)
	250952	1	Plug Fitting (3/8 NPTF; For PA6-KJ)
	16232	1	Plug Fitting (3/8 PTF; For PA6-LUAM; Note: Apply Thread sealant)
	212836	1	Decal (For 910301)
	215951	2	Screws (1/4-20 X 3/4; For PA6-HUNT)
	250707	1	Quick Coupler (For IMT200)
	251617	1	Quick Coupler (For IMT200)
	39910	1	Rubber Hose (8'; For IMT200)
	252024	1	Serial Number Decal (PFAFF; For PA6-PFAFF)
	253522	1	Serial Number Decal (PFAFF; For PA6M-PFAFF)
	39910	1	Hydraulic Hose (For PA6M-1-STEL)
	25599	1	Male Hose Half Coupler (For PA6M-1-STEL)
	9800	1	Dust Cap (For PA6M-1-STEL)
	9769	1	Hose (10' Polyurethane; For PA6-AMH)

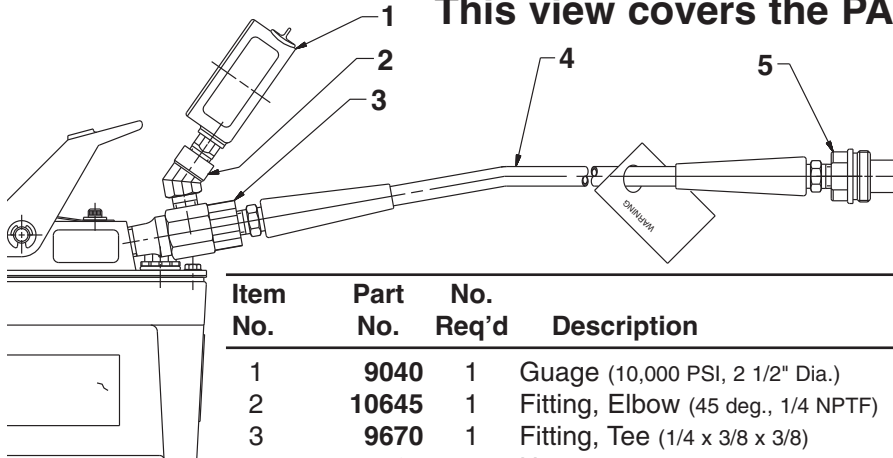
Part numbers marked with an asterisk (*) are contained in a Repair Kit see sheet 6 of 6 for individual repair kit information.

This view covers the PA6-2-CM Only.



Item No.	Part No.	No. Req'd	Description
1	253185	1	Straight Fitting (3/8 NPTF)
2	12753	1	Straight Fitting
4	15417	1	Suction Strainer

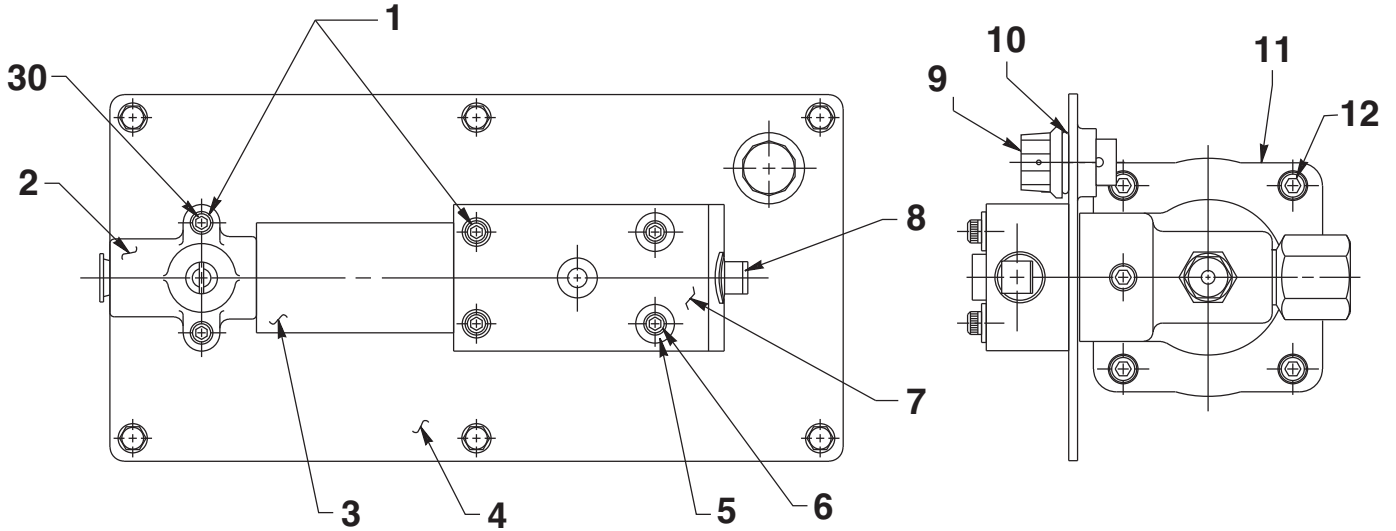
This view covers the PA6-SS Only.



Item No.	Part No.	No. Req'd	Description
1	9040	1	Guage (10,000 PSI, 2 1/2" Dia.)
2	10645	1	Fitting, Elbow (45 deg., 1/4 NPTF)
3	9670	1	Fitting, Tee (1/4 x 3/8 x 3/8)
4	350167	1	Hose (6' Rubber)
5	25599	1	Coupler, Hose Half

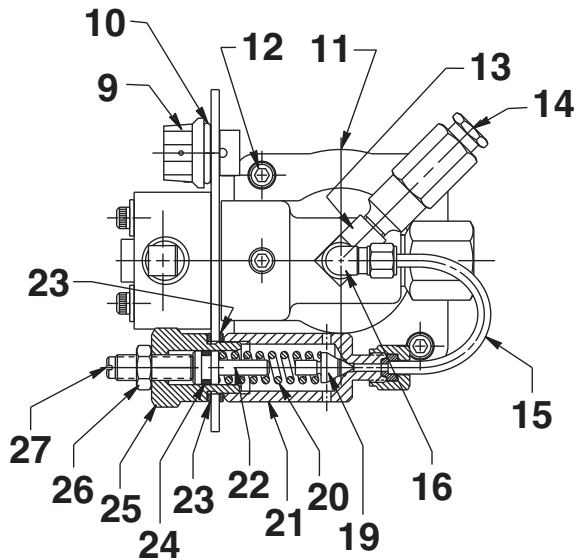
TOP & END VIEWS

Note: These views may not be exact representations of your pump due to the variation of pumps listed, but all parts have been accounted for and are in this parts list.

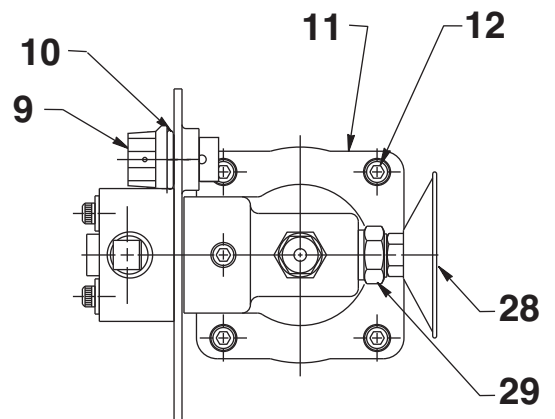


ALTERNATE END VIEWS

For PA6AM & PA6A Only



For PA6-HYDRA Only



Item No.	Part No.	No. Req'd	Description	Item No.	Part No.	No. Req'd	Description
1	11151	4	Cap Screw (10-24 UNC X 1-1/4 Lg.; Torque to 50/60 in. lbs.; For all except PA6-HUNT)	8	11127	1	Pressure Plug (3/8 NPTF; For all except PA6-KJ, PA6-HUNT & PA6-SS)
	11151	2	Cap Screw (10-24 UNC X 1-1/4 Lg.; Torque to 50/60 in. lbs.; For PA6-HUNT)		11048	1	Plug Fitting (1/8 NPTF; For PA6-HUNT)
2	37199	1	Intake Air Valve Body (For all except PA6-TAL, IMT200 & PA6-HUNT)		12203	1	Straight Fitting (3/8 NPTF; For PA6-HUNT)
	309246	1	Intake Air Valve Body (For PA6-TAL)	252343		1	Plug Fitting (1/4 BSP; For PA6M-ROM)
	33843	1	Intake Air Valve Body (For IMT200)	9	251689	1	Breather/Filler Cap
	351348	1	Intake Air Valve Body (For PA6M-ROM)	10	*10273	1	O-ring (13/16 X 5/8 X 3/32; Nitrile; For all except PA6-2E, PA6-2V, PA6E & PA6V)
3	*29992	1	Foam Tube (For all except PA6-HUNT)		18999	1	O-ring (13/16 X 5/8 X 3/32; Viton; For PA6-2V & PA6V)
	15459	1	Muffler (For PA6-HUNT)	250157		1	O-ring (13/16 X 5/8 X 3/32; EPR; For PA6-2E & PA6E)
4	420965BK2	1	Cover Plate (For all except PA6-2, PA6-2E, PA6-2N, PA6-2V, PA6A, PA6AM, PA6M-1, PA6M-2, IMT200, PA6-HUNT, PA6-LUKAS)	11	64767	1	Pump Body
	421156BK2	1	Cover Plate (For PA6A & PA6AM)	12	17428	4	Soc. Hd. Cap Screw (1/4-20 UNC X 3-1/2 Lg.; Torque to 85/95 in. lbs. oiled. Note: Cross torque in increments of 30 in. lbs.)
	58688BK2	1	Cover Plate (For PA6M-1, IMT200, PA6M-1-CAR & PA6M-1-STEL)	13	18969	1	Tee Fitting (For PA6A & PA6AM)
	58706BK2	1	Cover Plate (For PA6-2, PA-2E, PA6-2N, PA6-2V, PA6M-2 & PA6-2-FS-LR)	14	-----	-	Relief Valve (When ordering a replacement relief valve refer to stamped number on the outside of the relief valve. See note below. Apply loctite 592 [Power Team #905516] or equiv. & torque to 150/170 in. lbs.)
	421173BK2	1	Cover Plate (For PA6-LUKAS)		253366	1	Tubing Assembly (For PA6A & PA6AM)
	421164BK2	1	Cover Plate (For PA6-HUNT)	15			
	59078BK2	1	Cover Plate (For PA6-2-CM)	16	16177	1	90° Elbow Fitting (For PA6A & PA6AM)
5	11089	2	Washer (#10 bolt)	19	21046	1	Valve Body (For PA6A & PA6AM)
6	11435	2	Soc. Hd. Cap Screw (10-24 UNC x 1-3/4 Lg.; Torque to 50/60 in. lbs.; For all except PA6-HUNT)	20	*10495	1	Spring (1/2 O.D. X 1-5/8 Lg.; For PA6A & PA6AM)
	11151	2	Cap Screw (10-24 UNC X 1-1/4 Lg.; Torque to 50/60 in. lbs.; For PA6-HUNT)	21	22361	1	Valve Body (For PA6A & PA6AM)
7	58563	1	Release Valve Body (For all except PA6M-CHIEF, PA6-TAL, PA6-HUNT & PA6M-PL)	22	21306	1	Spring Guide (For PA6A & PA6AM)
	58579	1	Release Valve Body (For PA6M-CHIEF, PA6-TAL & PA6M-PL)	23	10263	2	Special Washer (1" X .765 X 1/32; For PA6A & PA6AM; Note: Apply Permatex #80019 sealant or equiv. to both sides of <u>bottom</u> washer only.)
	58817	1	Release Valve Body (For PA6-HUNT)	24	*10268	1	O-ring (1/2 X 3/8 X 1/16; For PA6A & PA6AM)
	58858	1	Release Valve Body (For PA6M-ROM)	25	21305	1	Valve Cup (For PA6A & PA6AM)

Continued -

Part numbers marked with an asterisk (*) are contained in a Repair Kit see sheet 6 of 6 for individual repair kit information.

NOTE:

Standard relief valves are set at 10,100/10,700 PSI.

Relief valves pre-set at special settings are available.

Refer to your pump model number or contact Power Team Technical Services.

 Sheet No. 3 of 6

 Rev 37 Date: 27 July 2006

Parts List, Form No. 101652, Back sheet 3 of 6

Item No.	Part No.	No. Req'd	Description	Item No.	Part No.	No. Req'd	Description
26	10386	1	Hex Jam Nut (3/8-24 UNF; For PA6A & PA6AM)	250328		1	Attention Decal (For PA6-2E & PA6E)
27	22362	1	Valve Body (For PA6A & PA6AM)	13270		1	Plastic Cap (For PA6-HUNT)
28	29682	1	Filter (For PA6A-HYDRA)	16023		1	Cable Clamp (For PA6-HUNT)
29	350553	1	Tee Fitting (Torque to 40/50 ft. lbs. oiled; Apply permatex to external threads of the filter adapter; For PA6A-HYDRA)	212830		1	Caution Decal (For 910301 & 910303)
30	11434	2	Screw (10-24 X 1/2 ; For PA6-HUNT)	253283		1	Name Plate (For PA6FACOM)
				10474		1	90° Elbow Fitting (3/8 NPTF; For PA6-LUKAS)
				11127		1	Plug Fitting (3/8 NPTF; For PA6-LUKAS)
PARTS INCLUDED BUT NOT SHOWN							
	205724	1	Attention Decal (For PA6-2V & PA6V)				
	215709	1	Pin (For PA6-TAL)				

Part numbers marked with an asterisk (*) are contained in a Repair Kit see sheet 6 of 6 for individual repair kit information.

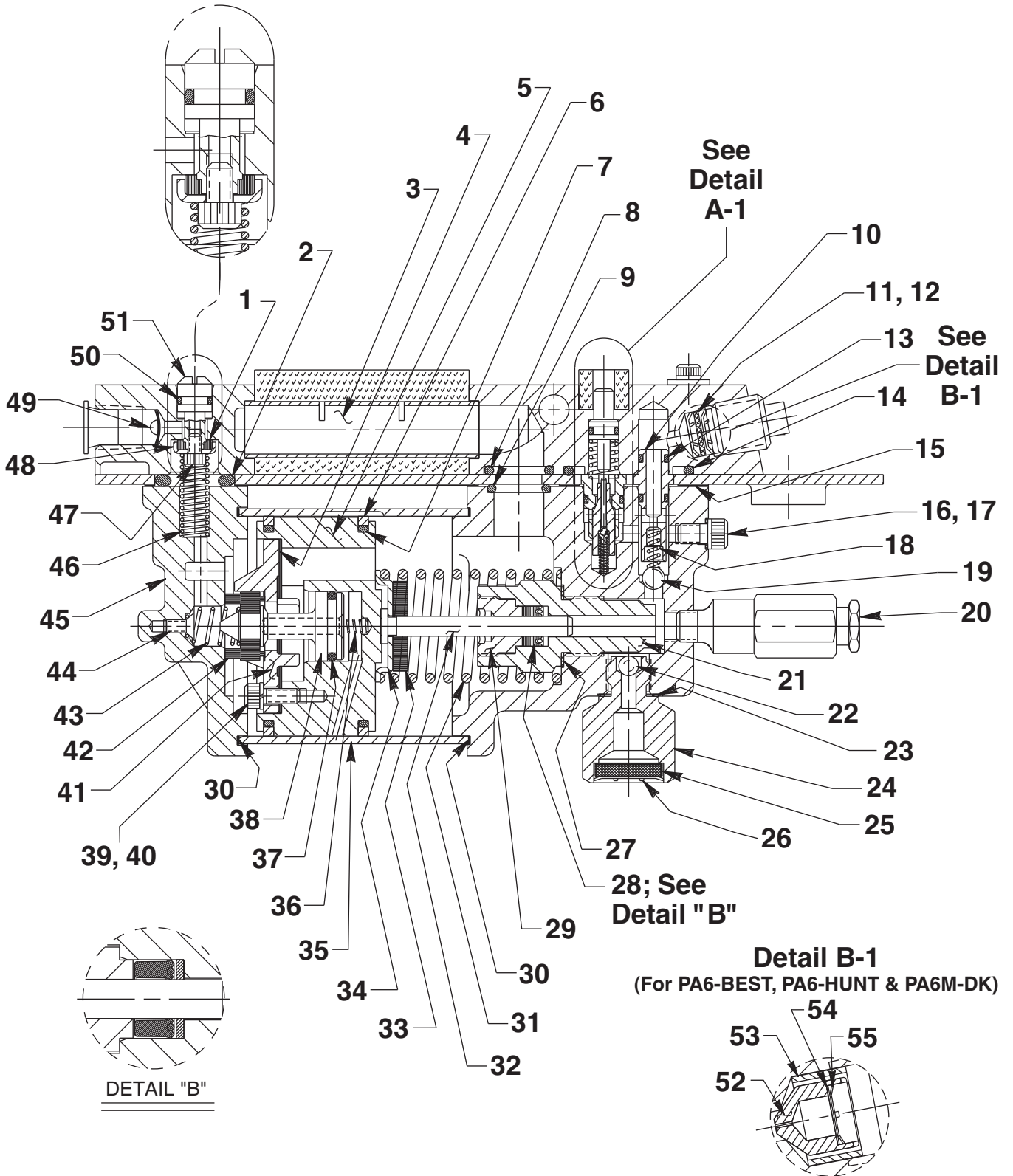
Refer to any operating instructions included with this product for detailed information about operation, testing, disassembly, reassembly, and preventive maintenance.

Items found in this parts list have been carefully tested and selected. **Therefore: Use only genuine Power Team replacement parts!**

Additional questions can be directed to our Technical Services Department.

BASIC PUMP ASSEMBLY

Note: These views may not be exact representations of your pump due to the variation of pumps listed, but all parts have been accounted for and are in this parts list.



Parts List, Form No. 101652, Back sheet 4 of 6

Item No.	Part No.	No. Req'd	Description	Item No.	Part No.	No. Req'd	Description
1	*28182	1	Air Valve Poppet (For all except PA6-TAL & PA6-HUNT)	15	*351021	1	PA6-2E) Gasket
2	*251717	1	O-ring (1" x 5/8 x 3/16; For all except PA6E, PA6V, PA6-2E, PA6-HUNT & PA6-2V)	16	*10442	1	Washer (3/8 X 1/4 X 1/32)
	251718	1	O-ring (1" x 5/8 x 3/16; For PA6-2V & PA6V)	17	10002	1	Cap Screw (1/4-20 UNC X 3/8 Lg.; Torque to 90/110 in. lbs.)
	251719	1	O-ring (1" x 5/8 x 3/16; For PA6-2E & PA6E)	18	*10445	1	Compression Spring (5/32 O.D. X 3/4 Lg.)
3	28387	1	Muffler (For all except PA6-HUNT)	19	*10423	1	Steel Ball (9/32 Dia.; For all except PA6M-2, PA6-2, PA6-2E, PA6-2N, PA6-2V & PA6-2-FS-LR)
4	*28239	1	Gasket		*10423	2	Steel Ball (9/32 Dia.; For PA6M-2, PA6-2, PA6-2E, PA6-2N, PA6-2V & PA6-2-FS-LR)
5	52390	1	Piston Body	20	-----	-	Relief Valve (When ordering a replacement relief valve refer to stamped number on the outside of the relief valve. See note below. Apply loctite 592 [Power Team #905516] or equiv. & torque to 150/170 in. lbs.)
6	*14265	2	Piston Ring (For all except PA6-HYDRA & PA6-SEAL)				
	*252347	2	Piston Ring (For PA6-HYDRA & PA6-SEAL)	21	45278	1	Piston Cylinder (Torque to 90/100 ft. lbs. oiled.)
7	*251835	2	O-ring (2-5/16 x 2-1/8 x 3/32; For all except PA6E, PA6V, PA6-2E, PA6-2V, PA6-HYDRA & PA6-SEAL)	22	*10375	1	Steel Ball (1/4 Dia.; For all except PA6-2E, PA6-2N, PA6-2V, PA6-2, PA6-2-FS-LR & PA6M-2)
	251865	2	O-ring (2-5/16 x 2-1/8 x 3/32; For PA6-2V & PA6V)	23	*10261	1	Copper Washer (3/4 X 19/32 X 1/32)
	251866	2	O-ring (2-5/16 x 2-1/8 x 3/32; For PA6-2E & PA6E)	24	308893	1	Filter Adapter (Torque to 40/50 ft. lbs. oiled.; For all except PA6-2E, PA6-2N, PA6-2V, PA6-HYDRA, PA6-2, PA6M-2, PA6-2-FS-LR, PA6-HUNT & PA6-SEAL; See back sheet 5 of 6 for pumps with 2 gal. reservoirs.)
	252348	2	O-ring (2-5/16 x 2-1/8 x 3/32; For PA6-HYDRA & PA6-SEAL)		308366	1	Filter Adapter (Torque to 40/50 ft. lbs. oiled.; For PA6-HUNT)
8	*10276	1	O-ring (1" X 3/4 X 1/8; For all except PA6E, PA6V, PA6-2E & PA6-2V)		350553	1	Filter Adapter Torque to 40/50 ft. lbs. oiled, For PA6-SEAL)
	19026	1	O-ring (1" X 3/4 X 1/8; For PA6V & PA6-2V)	25	214578	1	Filter (For all reservoir sizes except 2 gal. reservoirs built after June 1, 1998; For all except PA6-SEAL)
	250188	1	O-ring (1" X 3/4 X 1/8; For PA6E & PA6-2E)		29682	1	Filter (For PA6-SEAL)
9	*10272	1	O-ring (3/4 X 9/16 X 3/32; For all except PA6M, PA6M-DE-STA-CO, PA6-2E, PA6-2V, PA6V, PA6M-CAR, PA6E & PA6M-DK)	26	214586	1	Retaining Ring (Internal; For all reservoir sizes except 2 gal. reservoirs built after June 1, 1998; PA6-HYDRA & PA6-SEAL)
	*10272	2	O-ring (3/4 X 9/16 X 3/32; For PA6M, PA6M-CAR, PA6M-ROM, PA6M-DE-STA-CO & PA6M-DK)	27	*10263	1	Copper Washer (1" X .765 X 1/32)
	18998	1	O-ring (3/4 X 9/16 X 3/32; For PA6-2V & PA6V)	28	*13934	1	U-cup & Backup
	250194	1	O-ring (3/4 X 9/16 X 3/32; For PA6-2E & PA6E)	29	*304295	1	Retainer (Note: See "INSTRUCTIONS FOR RETAINER REPLACEMENT" on back sheet 6 of 6)
10	34378	1	Check Valve Body	30	*17429	2	Backup Washer (2-15/16 X 2-3/4 X .045)
11	*250638	1	Filter Disc (For all except PA6-HYDRA, PA6-HUNT, PA6-BEST & PA6-SEAL)	31	*13938	1	Compression Spring (1.452 O.D. X 4-7/16 Lg.)
12	*11088	2	Retaining Ring (9/16 hole; For all except PA6-HYDRA, PA6-HUNT, PA6-BEST & PA6-SEAL)	32	28226	1	Piston
13	*12522	2	O-ring (3/8 X 1/4 X 1/16; Urethane; For all except PA6E, PA6V, PA6-2E, & PA6-2V)	33	203143	1	Bumper
	11438	2	O-ring (3/8 X 1/4 X 1/16; For PA6V & PA6-2V)	34	210994	1	Spring Guide
	17715	2	O-ring (3/8 X 1/4 X 1/16; For PA6E & PA6-2E)	35	37434	1	Air Cylinder (Note: Locate groove on upper half (top) of pump with chamfered tube end towards rear head as shown.)
	211053	2	O-ring (.37 x .25; For PA6M-1-STEL)				
14	*11841	1	O-ring (1-5/8 x 1-3/8 x 1/8; For all except PA6E, PA6V, PA6-2E & PA6-2V)				
	19035	1	O-ring (1-5/8 x 1-3/8 x 1/8; For PA6V & PA6-2V)				
	251695	1	O-ring (1-5/8 x 1-3/8 x 1/8; For PA6E &				

Part numbers marked with an asterisk (*) are contained in a Repair Kit see sheet 6 of 6 for individual repair kit information.

Continued-

NOTE: Standard relief valves are set at 10,100/10,700 PSI.

Relief valves pre-set at special settings are available.

Refer to your pump model number or contact Power Team Technical Services.

Parts List

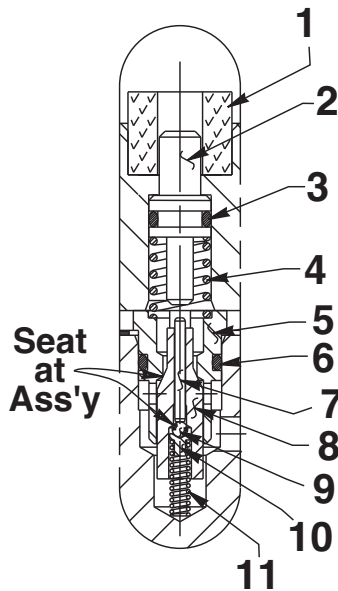
Form No. 101652

Item No.	Part No.	No. Req'd	Description	Item No.	Part No.	No. Req'd	Description
36	*12692	1	Compression Spring (3/16 O.D. X 1-11/16 Lg.)	48	28198	1	Seal Guide (For all except PA6-TAL & PA6-HUNT)
37	*211052	1	O-ring (.900 X .706 X .097; For all except PA6E, PA6V, PA6-2E & PA6-2V)	49	*216296	1	Filter Disc (For all except PA6-HUNT)
	250192	1	O-ring (.900 X .706 X .097; For PA6V & PA6-2V)	50	*10267	1	O-ring (7/16 X 5/16 X 1/16; For all except PA6V, PA6E, PA6-2E, PA6-TAL, PA6-HUNT & PA6-2V)
	250193	1	O-ring (.900 X .706 X .097; For PA6E & PA6-2E)		18974	1	O-ring (7/16 X 5/16 X 1/16; For PA6V & PA6-2V)
38	305475	1	Exhaust Valve Stem		13472	1	O-ring (7/16 X 5/16 X 1/16; For PA6E & PA6-2E)
39	*10241	3	Lockwasher (For #10 bolt)	51	33841	1	Actuator Button (For all except PA6-TAL & PA6-HUNT)
40	211054	3	Screw (#10-24 X 1/2 Lg.; Torque to 50/55 in. lbs.)	52	214584	1	Poppet (For PA6-BEST, PA6-HUNT & PA6M-DK)
41	33822	1	Piston End Plate	53	214583	1	Retaining Sleeve (For PA6-BEST, PA6-HUNT & PA6M-DK)
42	*28183	1	Piston Poppet	54	214596	1	Filter Disc (For PA6-BEST, PA6-HUNT & PA6M-DK)
43	*205679	1	Compression Spring (.485 O.D. X .915 Lg.)	55	12201	1	Internal Retaining Ring (3/8 Shaft; For PA6-BEST, PA6-HUNT & PA6M-DK)
44	*205674	1	Screw (8-32 UNC X 3/8 Lg.; Torque to 12/18 in. lbs.)				
45	51480	1	Rear Head (For all except PA6-HUNT)				
	37468	1	Rear Head (For PA6-HUNT)				
46	12691	1	Compression Spring (3/8 O.D. X 1-1/2 Lg.; For all except PA6-TAL & PA6-HUNT)				
47	13936	1	Soc. Hd. Cap Screw (8-32 UNC X 1/4 Lg.; For all except PA6-TAL & PA6-HUNT) Torque to 4/10 in. lbs.				

PARTS INCLUDED BUT NOT SHOWN

14972	1	Plug Fitting (1/4 PTF; Replaces air pressure valve parts; For PA6-TAL)
-------	---	--

DETAIL "A-1"



Item No.	Part No.	No. Req'd	Description
1	*206504	1	Foam Tube
2	28227	1	Release Valve Button
3	*10266	1	O-ring (3/8 X 1/4 X 1/16; For all except PA6-2E, PA6-2V, PA6E & PA6V)
	11438	1	O-ring (3/8 X 1/4 X 1/16; For PA6-2V & PA6V)
	17715	1	O-ring (3/8 X 1/4 X 1/16; For PA6-2E & PA6E)
4	*13944	1	Compression Spring (3/8 O.D. X 1/2 Lg.; For all except PA6M-CHIEF, PA6-TAL & PA6M-PL)
	*251297	1	Compression Spring (For PA6-TAL, PA6M-CHIEF & PA6M-PL)
5	34377	1	Poppet Retainer
6	*15279	1	O-ring (1/2 X 3/8 X 1/16; For all except PA6-2E, PA6-2V, PA6E & PA6V)
	19775	1	O-ring (1/2 X 3/8 X 1/16; For PA6-2V & PA6V)
	17716	1	O-ring (1/2 X 3/8 X 1/16; For PA6-2E & PA6E)
7	13937	1	Dowel Pin (Note: Place tapered end toward ball.; For all except PA6-HUNT)
8	29037	1	Release Valve Poppet
9	*14443	1	Steel Ball (3/32 Dia.)
10	209736	1	Ball Retainer
11	*13959	1	Compression Spring (1/8 O.D. x 1/2 Lg.)

PARTS INCLUDED BUT NOT SHOWN

*15620	1	Oil Shaft Seal (For PA6-TAL, PA6M-CHIEF & PA6M-PL)
12184	2	Backup Washer (For PA6-HUNT)

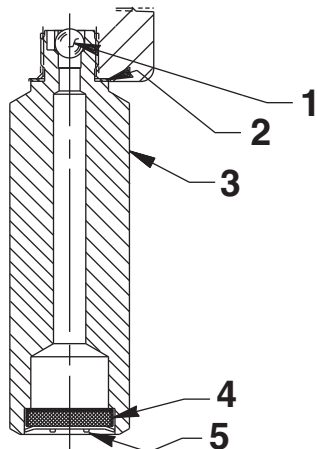
Part numbers marked with an asterisk (*) are contained in a Repair Kit see sheet 6 of 6 for individual repair kit information.

Sheet No. 5 of 6

Rev 37 Date: 27 July 2006

FILTER ADAPTER ASSEMBLY BEFORE 6/1/98

For 2 Gallon Reservoirs Only

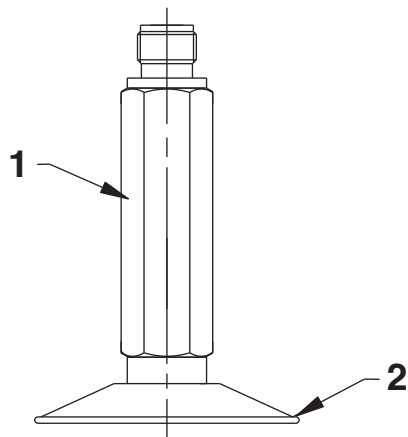


Item No.	Part No.	No. Req'd	Description
1	*10423	1	Ball (9/32 Dia.)
2	*10261	1	Special Washer (3/4 x 19/32 x 1/32)
3	48007	1	Filter Adapter (Torque to 40/50 ft. lbs. oiled.; For PA6-2E, PA6-2N, PA6-2V, PA6-2, PA6-HUNT, PA6-2-FS-LR, PA6M-2 & PA6-2-CM)
4	214578	1	Filter
5	214586	1	Retaining Ring (.63 x .015)

Part numbers marked with an asterisk (*) are contained in a Repair Kit see sheet 6 of 6 for individual repair kit information.

FILTER ADAPTER ASSEMBLY AFTER 6/1/98

For 2 Gallon Reservoirs Only
(Reference Part Number 48007)



Item No.	Part No.	No. Req'd	Description
1	422016	1	Filter Adapter
2	29682	1	Filter

REPAIR KITS**No. 300805**

PA6
PA6M
PA6M-DE-STA-CO
PA6M-DES-50
PA6N
58430
PA6M-CAR
PA6M-PFAFF
PA6M-ROM
PA6-SS
PA6-AW
PA6M-DK
PA6M-1-CAR
PA6-CMS

No. 300837

PA6-AERO
PA6-AMH
PA6-AUTO
PA6-BEST
PA6-CB
PA6-HUTH
PA6-KJ
PA6-LUAM
PA6-NT
PA6AUTO ROBOT
PA6FACOM
PA6M-PF
203641-PF
1U-7545
910301
910303
PA6-PRO
PA6-PFAFF

No. 300840

PA6A
PA6AM

No. 300831

PA6M-1
PA6M-1-STEL

No. 300848

PA6-2
PA6-2N
PA6M-2
PA6-2-FS-LR
PA6-2-CM

No. 300842

IMT200

No. 300849

PA6-LUKAS

No. 300817

PA6M-CHIEF
PA6M-PL

No. 300843

PA6-HUNT

No. 300964

PA6-HYDRA
PA6-SEAL

INSTRUCTIONS FOR RETAINER REPLACEMENT

Your pump's retainer is locked into place by one of the two following methods. Determine which method was used on your pump's retainer, then follow the appropriate steps to remove the old and install and stake the new.

Method 1 - Retainer shows no sign of stake marks

1. This retainer has been locked in place with a Loctite product. To replace it, a moderate amount of heat needs to be applied to the cylinder nut (in the area of the retainer) to soften the existing Loctite allowing it to be removed.
2. Install the new retainer into the cylinder nut and torque to 80/100 in. lbs. **Note: Do not use a Loctite product this time but stake the new retainer in place according to instructions in Step 3.**
3. To lock retainer into place, use a center punch positioned in the seam between the retainer and the cylinder nut and stake the new retainer in two places approximately 180° apart.

Method 2 - Retainer has two stake marks in the seam between the retainer and the cylinder nut

1. For replacement of this retainer, the stake marks must be removed. Using a 1/8" or larger diameter drill bit, remove the existing stakes by drilling a short distance into the stake marks. Remove the retainer.
2. Install the new retainer into the cylinder nut and torque to 80/100 in. lbs.
3. To lock retainer into place, use a center punch positioned in the seam between the retainer and the cylinder nut and stake the new retainer in two places approximately 180° apart.

NOTE: Do not stake in the old stake marks.

