

# TABLE N°1 LIST

## DRIVE TRAIN

1 - <a href="#">SPALLAPORTCP30</a>	FRONT PLATE
2 - <a href="#">TASSELLO30PRESS</a>	FORMING BLOCK
3 - <a href="#">TASSELLO30GV</a>	TAP PLATE
4 - <a href="#">VITE30REGTASS</a>	UPPER ROLL ADJUSTING SCREW
5 - <a href="#">LEVA30REGTASS</a>	LEVER
6 - <a href="#">POMCP30Z302CP40</a>	LEVER END BALLS
7 - <a href="#">PIASTR30ANBLVITE</a>	FRONT SCREW SUPPORT PLATE
8 - <a href="#">PIASTR30POBLVITE</a>	BACK SCREW SUPPORT PLATE
9 - <a href="#">VTCE06X012</a>	SCREW
10 - <a href="#">SPIN30BLOCALB</a>	UPPER ROLL ROTATION LOCK PIN
11 - <a href="#">MOLLACP30L23</a>	LOW STRENGTH SPRING
12 - <a href="#">PATTINO30ANT</a>	FRONT SLIDER GUIDE
13 - <a href="#">PATTINO30POS</a>	BACK SLIDER GUIDE
14 - <a href="#">VTCE08X025</a>	SCREW
15 - <a href="#">VTGRPPIANA08X030</a>	SCREW
16 - <a href="#">VTDEB08</a>	NUT
17 - <a href="#">VTCE16X045</a>	SCREW
18 - <a href="#">VTRSC16</a>	WASHER Ø 16MM
19 - <a href="#">VTGRPPIANA10X010</a>	SPRING LOCKING SCREW
20 - <a href="#">MOLLACP30L16</a>	HIGH STRENGTH SPRING
21 - <a href="#">SPIN30COMANDO</a>	SUPERIOR PIN
22 - <a href="#">VTSPEI05X008</a>	SCREW
23 - <a href="#">PATTINO30GUIDA</a>	SLIDER GUIDE
24 - <a href="#">ALBERO30CENTR</a>	CENTRAL SHAFT
25 - <a href="#">CH0807045</a>	GEAR KEY 8 X 7 X 45
26 - <a href="#">CU30206</a>	CONICAL BEARING 30206
27 - <a href="#">BUSSOLA30POSLAT</a>	BEARING JOURNAL REAR
28 - <a href="#">BUSSOLA30ANTLAT</a>	LATERAL BEARING JOURNAL FRONT
29 - <a href="#">BUSSOLA30POSCEN</a>	CENTRAL JOURNAL BEARING
30 - <a href="#">MR380220VCP30</a>	MOTOREDCER
31 -	MOTOR CONNECTION COVER
32 - <a href="#">ALBERO30PRESS</a>	UPPER FORMING SHAFT
33 - <a href="#">ALBERO30TRAIN</a>	LOWER SHAFT LF - RG
34 - <a href="#">VA000034</a>	BEARING COVER
35 - <a href="#">CHTRAINCP30</a>	ROLLS KEY
36 - <a href="#">VTCE04X006</a>	SCREW
37 - <a href="#">CH0807018</a>	GEAR KEY 8 X 7 X 18
38 - <a href="#">ROND30BLOCMAT</a>	ROLLS LOCKING WASHER
39 - <a href="#">VTDEM20MB</a>	ROLLS LOCKING NUT
40 - <a href="#">ALBERO30MOTORE</a>	MOTOR SHAFT
41 - <a href="#">CU062052RS</a>	RADIAL BEARING 6205 2RS
42 - <a href="#">VTSEEGEREST025</a>	LOCKING RING Ø 25MM

# TABLE N°1 LIST

## DRIVE TRAIN

43 - <a href="#">VTKM06</a>	RACK
44 - <a href="#">ROND30BLOCING</a>	WASHER
45 - <a href="#">VTSPEI10X025</a>	SCREW
46 - <a href="#">IN30SAT14000</a>	CENTRAL GEAR 62.7
47 - <a href="#">IN30226120032</a>	LATERAL GEAR
48 - <a href="#">IN30186130040</a>	CENTRAL GEAR 186
49 - <a href="#">IN30226120032</a>	LATERAL GEAR
50 - <a href="#">PIASTRABASECP30</a>	BASE PLATE
51 - <a href="#">VTCE08X025</a>	SCREW
52 - <a href="#">VTRP08</a>	WASHER
53 - <a href="#">VTRSC10</a>	LOCKING WASHER
54 - <a href="#">VTCE10X025</a>	SCREW
55 - <a href="#">VTCE0807060</a>	GEAR KEY 8 X 7 X 60



**Trick-Tools.com**

80 Truman Road

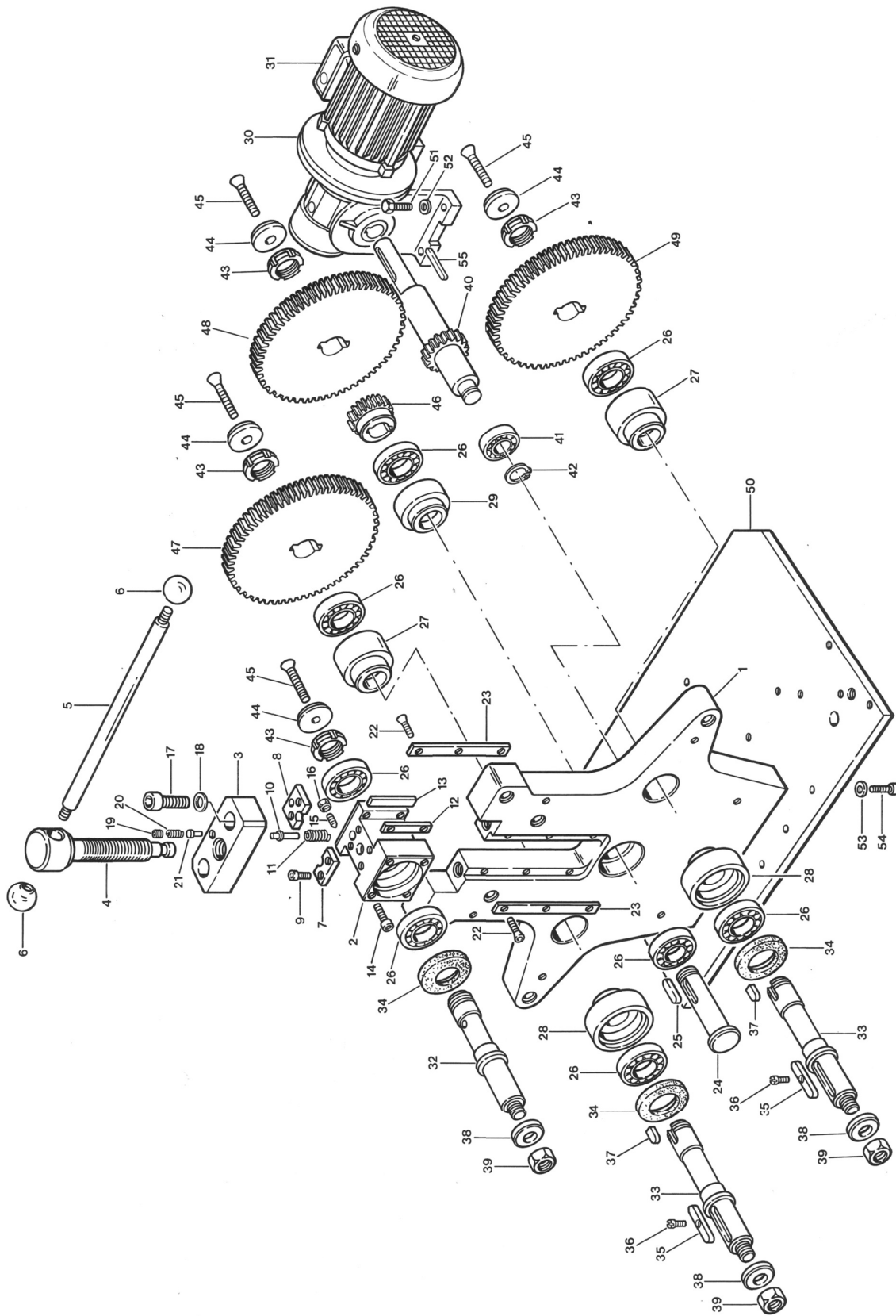
Pella, IA 50219

Phone:1-877-VAN-SANT

E-mail: sales@trick-tools.com



# DRIVE TRAIN

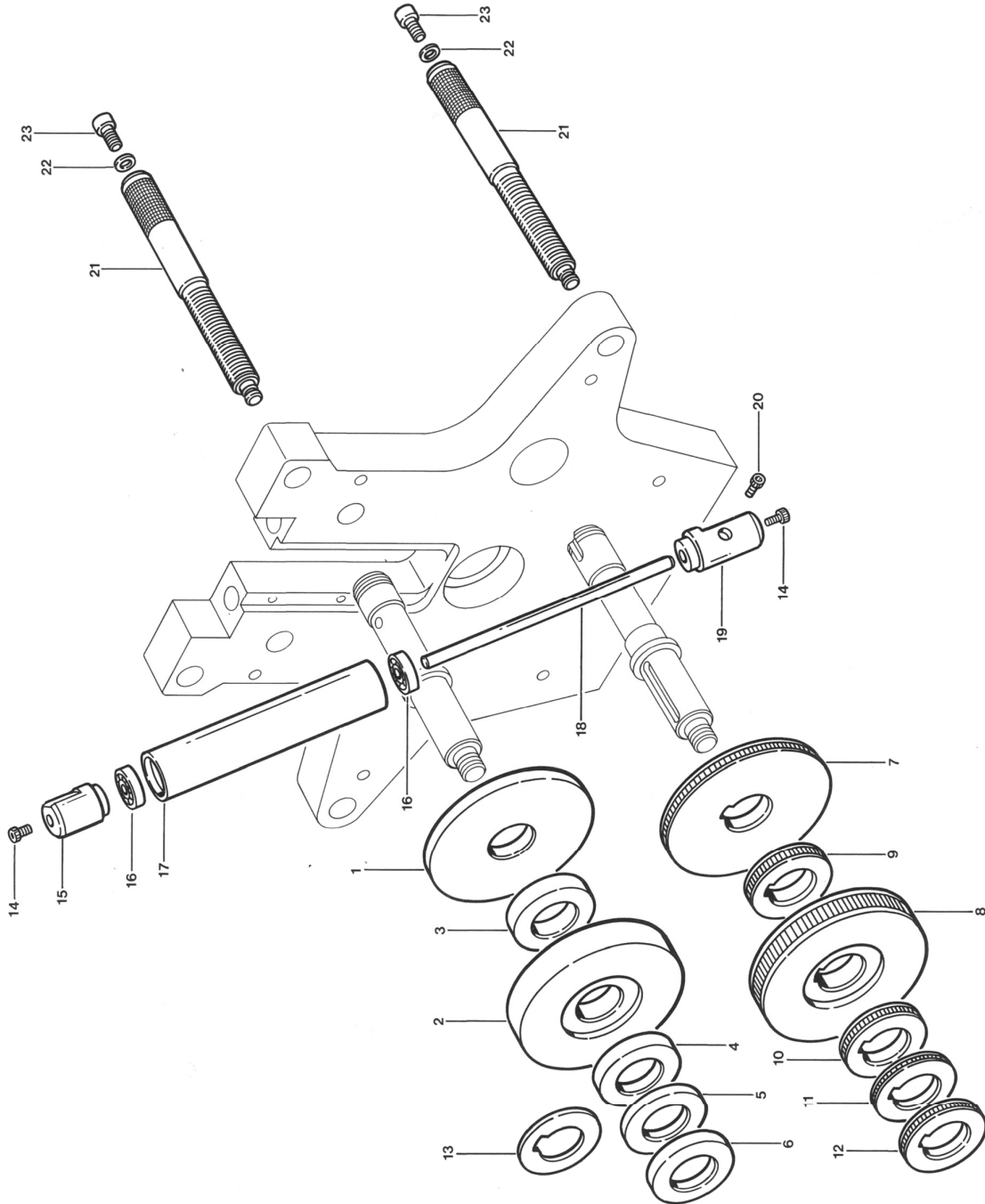


## TABLE N°2 LIST

### ROLLS AND LATERAL GUIDE ROLLS

1 - <a href="#">MATR30L02SP12</a>	UPPER SHOULDER FLANGE NARROW SMOOTH
2 - <a href="#">MATR30L46SP27</a>	UPPER SHOULDER FLANGE WIDE SMOOTH
3 - <a href="#">DIST30LSP165</a>	UPPER CORE SPACER SMOOTH 16.5 mm (.64")THICK
4 - <a href="#">DIST30LSP135</a>	UPPER CORE SPACER SMOOTH 13.5 mm (.53")THICK
5 - <a href="#">DIST30LSP103</a>	UPPER CORE SPACER SMOOTH 10.3 mm (.40")THICK
6 - <a href="#">DIST30LSP083</a>	UPPER CORE SPACER SMOOTH 8.3 mm (.32")THICK
7 - <a href="#">MATR30Z02SP12</a>	LOWER SHOULDER FLANGE NARROW KNURLED
8 - <a href="#">MATR30Z46SP27</a>	LOWER SHOULDER FLANGE WIDE KNURLED
9 - <a href="#">DIST30ZSP165</a>	LOWER CORE SPACER KNURLED 16.5 mm (.64") THICK
10 - <a href="#">DIST30ZSP135</a>	LOWER CORE SPACER KNURLED 13.5 mm (.53") THICK
11 - <a href="#">DIST30ZSP103</a>	LOWER CORE SPACER KNURLED 10.3 mm (.40") THICK
12 - <a href="#">DIST30ZSP083</a>	LOWER CORE SPACER KNURLED 8.3 mm (.32") THICK
13 - <a href="#">TA000064</a>	ALUMINUM SPACER 1 mm. THICK
14 - <a href="#">VTCE05X006</a>	SCREW
15 - <a href="#">SNODO30SUPDXSX</a>	SHORT ARTICULATION
16 - <a href="#">CU060012RS</a>	BALL BEARING 6001 2RS
17 - <a href="#">TUBO30RADD</a>	GUIDE ROLL
18 - <a href="#">ASTA30RADD</a>	GUIDE ROLL SHAFT
19 - <a href="#">SNODO30DX2POS</a>	LONG ARTICULATION
20 - <a href="#">VTCE05X006</a>	SCREW
21 - <a href="#">VITE30REGRADD</a>	LATERAL GUIDE ADJUSTING SCREW
22 - <a href="#">VTRSC10</a>	WASHER Ø 10MM
23 - <a href="#">VTCE10X020</a>	SCREW

# ROLLS AND LATERAL GUIDE ROLLS



# TABLE N°3 LIST

## FRAME AND ELECTRICAL COMPONENTS

1-	<a href="#">CARTER30BASAMVER</a>	BASE CP30R
2 -	<a href="#">CARTER30ANT</a>	FRONT COVER (ABS)
3 -	<a href="#">CARTER30POST</a>	REAR COVER (ABS)
4	<a href="#">LAM30VPROT</a>	LAMIERA DI PROTEZIONE RIBALTAMENTO
5 -		CASSETTO QUADRO ELETTRICO
6 -	<a href="#">CARTER30PROTEL</a>	ELECTRIC PROTECTION COVER
7 -	<a href="#">CARTER30PPROTSTR</a>	INSTRUMENT PROTECTION COVER CP30P
8 -	<a href="#">CARTER30PROTTAS</a>	ELECTRIC PANEL COVER
9 -	<a href="#">CARTER30SUP</a>	ADJUSTING SCREW TOP COVER
10 -	<a href="#">TA000022</a>	“BPR” INFORMATION PLATE
11 -	<a href="#">TA000116</a>	INFORMATION PLATE CE
12 -	<a href="#">TA000075</a>	INFORMATION PLATE PATENT
13 -	<a href="#">TA000150</a>	INFORMATION PLATE DATA
14 -	<a href="#">PDCPBERSTEIN</a>	FOOT PEDAL WITH COVER
15 -	<a href="#">CABPEDCP30</a>	FOOT PEDAL WIRING WITH COVER
16 -	<a href="#">TA000121</a>	PLATE “EMERGENCT STOP”
17 -	<a href="#">TA000132</a>	PLATE “PUSH TO RESET”
18-	<a href="#">SUPP30VRIBA</a>	TILTING SUPPORT
19-	<a href="#">PERNO30VRIBA</a>	TILTING JOURNAL
20 -	<a href="#">VTBCE06X012</a>	SCREW TBCE 6 X 12
21 -		NUT M6
22 -	<a href="#">VTCE08X045</a>	SCREW TCE 8 X 45
23 -	<a href="#">VTGRPCONICA05X016</a>	SCREW 5 X 16
24-		INSPECTION COVER
25 -	<a href="#">INWV1053</a>	ROLL ROTATION DIRECTION SELECTOR SWITCH
26 -	<a href="#">VISCP30</a>	DISPLAY
27 -		DIGITAL DISPLAY FRONT COVER
28 -	<a href="#">VTBCE08X014</a>	SCREW TBCE 8 X 14
29 -	<a href="#">TPPA1F100S2XL123</a>	LINEAR TRASDUCER PA1F100
30 -	<a href="#">DIST30TRASDUTT</a>	LINEAR TRASDUCER SPACER
31 -	<a href="#">VTCE04X016</a>	SCREW TCE 4 X 16
32 -	<a href="#">AGGANCIO30TRASD</a>	LINEAR TRASDUCER FIXING PLATE
33 -	<a href="#">VTBCE05X012</a>	SCREW TBCEI 5 X 12
34 -		NUT
35 -	<a href="#">VA000008</a>	SPACER TUBE
36 -	<a href="#">VTRP06</a>	WASHER Ø 6MM
37 -	<a href="#">VTCE06X018</a>	SCREW TCE 6 X 18
38 -	<a href="#">VTBCE08X014</a>	SCREW TBCEI 8 X 14
39 -	<a href="#">VTCE05X008</a>	SCREW TCE 5 X 8
40 -	<a href="#">VTCE05X008</a>	SCREW TCE 5 X 8
41 -	<a href="#">VTCE05X008</a>	SCREW TCE 5 X 8
42 -	<a href="#">PCPG11N</a>	POWER CABLE PASS THROUGH PG 11 NYLON

## TABLE N°3 LIST

### FRAME AND ELECTRICAL COMPONENTS

43 - <a href="#">PCPG130</a>	POWER CABLE PASS THROUGH PG 13 BRASS
44 - <a href="#">TA000113</a>	WARNING PLATE
45 - <a href="#">TA000110</a>	WARNING PLATE
46 -	SYNOPTICAL CABLE
47 - <a href="#">TA000033</a>	PLATE "24V – EMERGENCY"
48 - <a href="#">EL000063</a>	MAIN SWITCH
49 - <a href="#">COMMP1051020</a>	DOUBLE SPEED SELECTOR

#### THE FOLLOWING CODES ARE VALID FOR THE MODEL CP 30 R ONLY

50 - <a href="#">PULPITOC30</a>	CONTROL PANEL CP 30
51 - <a href="#">VTBCE06X012</a>	SCREW TBCE 6 X 12
52 - <a href="#">TA000202</a>	PLATE FOR PULPIT
53 - <a href="#">VTBCE04X010</a>	SCREW TBCEI 4 X 10
54 - <a href="#">INVW1053</a>	ROLL ROTATION DIRECTION SELECTOR SWITCH
55 - <a href="#">COMMP1051020</a>	DOUBLE SPEED SELECTOR
56 - <a href="#">IAEL100021</a>	THERMAL RELAY
	VOLTAGE AUTOMATIC SWITCH
	EMERGENCY PUSH BUTTON CP30
	EMERGENCY COVER CP30
57 -	ELECTRIC PANEL

# FRAME AND ELECTRICAL COMPONENTS

