



- ▶ **WPO14-15E** 7 221 48
- ▶ **WPO14-25E** 7 221 49

FEIN Service

USA

FEIN Power Tools Inc.
1030 Alcon Street
Pittsburgh, PA 15220
Telephone: (412) 922-8886
Toll Free: 1-800-441-9878
www.feinus.com

Canada

FEIN Canadian Power Tool
Company
323 Traders Boulevard East
Mississauga, Ontario L4Z 2E5
Telephone.: (905) 8901390
Toll Free: 1-800-265-2581

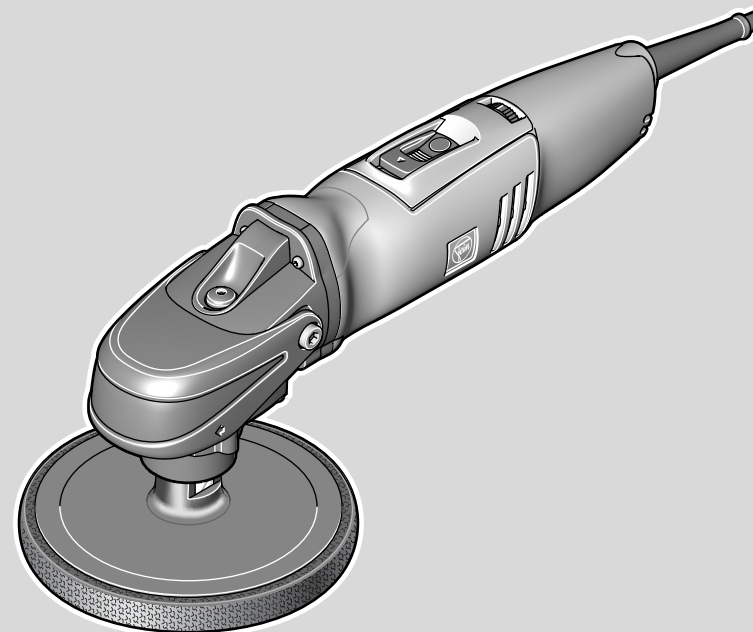
FEIN Canadian Power Tool
Company
2810 De Miniac
St. Laurent, Quebec H4S 1K9
Telephone: (514) 331-7390
Toll Free: 1-800-789-8181
www.fein.com

Headquarter

C. & E. FEIN GmbH
Hans-Fein-Straße 81
D-73529 Schwäbisch Gmünd-Bargau

www.fein.com

© C. & E. FEIN GmbH. Printed in Germany. Abbildungen unverbindlich. Technische Änderungen vorbehalten. 3 41 01 130 21 0 BY 2009.1ZZ DE





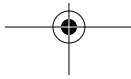
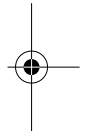
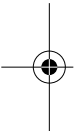
English _____ **Instruction manual** _____



Français _____ **Mode d'emploi** _____



Español _____ **Instrucciones de uso** _____



For your safety.

⚠ WARNING **Read all safety warnings and all instructions.** Failure to follow the warnings and instructions may result in electric shock, fire and/or serious injury. **Save all warnings and instructions for future reference.**

👤 Do not use this power tool before you have thoroughly read and completely understood this Instruction Manual, including the figures, specifications, safety regulations and the signs indicating DANGER, WARNING and CAUTION.

Only carry out such operations with this power tool as intended for by FEIN. Only use application tools and accessories that have been released by FEIN.

Please also observe the relevant national industrial safety regulations.

Non-observance of the safety instructions in the said documentation can lead to an electric shock, burns and/or severe injuries.

This Instruction Manual should be kept for later use and enclosed with the power tool, should it be passed on or sold.

SAVE THESE INSTRUCTIONS.

General Safety Rules.

1) Work area safety

- a) **Keep work area clean and well lit.** Cluttered or dark areas invite accidents.
- b) **Do not operate power tools in explosive atmospheres, such as in the presence of flammable liquids, gases or dust.** Power tools create sparks which may ignite the dust or fumes.
- c) **Keep children and bystanders away while operating a power tool.** Distraction can cause you to lose control.

2) Electrical safety

- a) **Power tool plugs must match the outlet. Never modify the plug in any way. Do not use any adapter plugs with earthed (grounded) power tools.** Unmodified plugs and matching outlets will reduce risk of electric shock.

- b) **Avoid body contact with earthed or grounded surfaces such as pipes, radiators, ranges and refrigerators.** There is an increased risk of electric shock if your body is earthed or grounded.
- c) **Do not expose power tools to rain or wet conditions.** Water entering a power tool will increase the risk of electric shock.
- d) **Do not abuse the cord. Never use the cord for carrying, pulling or unplugging the power tool. Keep cord away from heat, oil, sharp edges or moving parts.** Damaged or entangled cords increase the risk of electric shock.
- e) **When operating a power tool outdoors, use an extension cord suitable for outdoor use.** Use of a cord suitable for outdoor use reduces the risk of electric shock.

3) Personal safety

- a) **Stay alert, watch what you are doing and use common sense when operating a power tool. Do not use a power tool while you are tired or under the influence of drugs, alcohol or medication.** A moment of inattention while operating power tools may result in serious personal injury.
- b) **Use safety equipment. Always wear eye protection.** Safety equipment such as dust mask, non-skid safety shoes, hard hat, or hearing protection used for appropriate conditions will reduce personal injuries.
- c) **Avoid accidental starting. Ensure the switch is in the off-position before plugging in.** Carrying power tools with your finger on the switch or plugging in power tools that have the switch on invites accidents.
- d) **Remove any adjusting key or wrench before turning the power tool on.** A wrench or a key left attached to a rotating part of the power tool may result in personal injury.
- e) **Do not overreach. Keep proper footing and balance at all times.** This enables better control of the power tool in unexpected situations.



- f) **Dress properly. Do not wear loose clothing or jewelry. Keep your hair, clothing and gloves away from moving parts.** Loose clothes, jewelry or long hair can be caught in moving parts.
- g) **If devices are provided for the connection of dust extraction and collection facilities, ensure these are connected and properly used.** Use of these devices can reduce dust-related hazards.
- 4) Power tool use and care**
- a) **Do not force the power tool. Use the correct power tool for your application.** The correct power tool will do the job better and safer at the rate for which it was designed.
- b) **Do not use the power tool if the switch does not turn it on and off.** Any power tool that cannot be controlled with the switch is dangerous and must be repaired.
- c) **Disconnect the plug from the power source and/or the battery pack from the power tool before making any adjustments, changing accessories, or storing power tools.** Such preventive safety measures reduce the risk of starting the power tool accidentally.
- d) **Store idle power tools out of the reach of children and do not allow persons unfamiliar with the power tool or these instructions to operate the power tool.** Power tools are dangerous in the hands of untrained users.
- e) **Maintain power tools. Check for misalignment or binding of moving parts, breakage of parts and any other condition that may affect the power tools operation. If damaged, have the power tool repaired before use.** Many accidents are caused by poorly maintained power tools.
- f) **Keep cutting tools sharp and clean.** Properly maintained cutting tools with sharp cutting edges are less likely to bind and are easier to control.
- g) **Use the power tool, accessories and tool bits etc., in accordance with these instructions and in the manner intended for the particular type of power tool, taking into account the working conditions and the work to be performed.** Use of the power tool for operations different from those intended could result in a hazardous situation.
- 5) Service**
- a) **Have your power tool serviced by a qualified repair person using only identical replacement parts.** This will ensure that the safety of the power tool is maintained.

Special safety instructions.

Safety warnings common for sanding, sanding with sanding sheets, working with wire brushes, polishing and cut-off grinding

This power tool is intended to function as a sander, wire brush or polisher. Read all safety warnings, instructions, illustrations and specifications provided with this power tool. Failure to follow all instructions listed below may result in electric shock, fire and/or serious injury.

Operations such as grinding or cutting-off are not recommended to be performed with this power tool. Operations for which the power tool was not designed may create a hazard and cause personal injury.

Do not use accessories which are not specifically designed and recommended by the tool manufacturer. Just because the accessory can be attached to your power tool, it does not assure safe operation.

The rated speed of the accessory must be at least equal to the maximum speed marked on the power tool. Accessories running faster than their rated speed can break and fly apart.

The outside diameter and the thickness of your accessory must be within the capacity rating of your power tool. Incorrectly sized accessories cannot be adequately guarded or controlled.

The arbor size of wheels, flanges, backing pads or any other accessory must properly fit the spindle of the power tool. Accessories with arbor holes that do not match the mounting hardware of the power tool will run out of balance, vibrate excessively and may cause loss of control.

Do not use a damaged accessory. Before each use inspect the accessory such as abrasive wheels for chips and cracks, backing pad for cracks, tear or excess wear, wire brush for loose or cracked wires. If power tool or accessory is dropped, inspect for damage or install an undamaged accessory. After inspecting and installing an accessory, position yourself and bystanders away from the plane of the rotating accessory and run the power tool at maximum no-load speed for one minute. Damaged accessories will normally break apart during this test time.

Wear personal protective equipment. Depending on application, use face shield, safety goggles or safety glasses. As appropriate, wear dust mask, hearing protectors, gloves and workshop apron capable of stopping small abrasive or workpiece fragments. The eye protection must be capable of stopping flying debris generated by various operations. The dust mask or respirator must be capable of filtering particles generated by your operation. Prolonged exposure to high intensity noise may cause hearing loss.

Keep bystanders a safe distance away from work area. Anyone entering the work area must wear personal protective equipment. Fragments of workpiece or of a broken accessory may fly away and cause injury beyond immediate area of operation.

Hold power tool by insulated gripping surfaces only, when performing an operation where the cutting accessory may contact hidden wiring or its own cord. Cutting accessory contacting a "live" wire may make exposed metal parts of the power tool "live" and shock the operator.

Position the cord clear of the spinning accessory. If you lose control of the power tool, the cord may be cut or snagged and your hand or arm may be pulled into the spinning accessory.

Never lay the power tool down until the accessory has come to a complete stop. The spinning accessory may grab the surface and pull the power tool out of your control.

Do not run the power tool while carrying it at your side. Accidental contact with the spinning accessory could snag your clothing, pulling the accessory into your body.

Regularly clean the power tool's air vents. The motor's fan will draw the dust inside the housing and excessive accumulation of powdered metal may cause electrical hazards.

Do not operate the power tool near flammable materials. Sparks could ignite these materials.

Do not use accessories that require liquid coolants. Using water or other liquid coolants may result in electrocution or shock.

Kickback and related warnings

Kickback is a sudden reaction to a pinched or snagged rotating wheel, backing pad, brush or any other accessory. Pinching or snagging causes rapid stalling of the rotating accessory which in turn causes the uncontrolled power tool to be forced in the direction opposite of the accessory's rotation at the point of the binding.

For example, if an abrasive wheel is snagged or pinched by the workpiece, the edge of the wheel that is entering into the pinch point can dig into the surface of the material causing the wheel to climb out or kick out. The wheel may either jump toward or away from the operator, depending on direction of the wheel's movement at the point of pinching. Abrasive wheels may also break under these conditions.

Kickback is the result of power tool misuse and/or incorrect operating procedures or conditions and can be avoided by taking proper precautions as given below.

Maintain a firm grip on the power tool and position your body and arm to allow you to resist kickback forces. Always use auxiliary handle, if provided, for maximum control over kickback or torque reaction during start-up. The operator can control torque reactions or kickback forces, if proper precautions are taken.

Never place your hand near the rotating accessory. Accessory may kickback over your hand.

Do not position your body in the area where power tool will move if kickback occurs. Kickback will propel the tool in direction opposite to the wheel's movement at the point of snagging.

Use special care when working corners, sharp edges, etc. Avoid bouncing and snagging the accessory. Corners, sharp edges or bouncing have a tendency to snag the rotating accessory and cause loss of control or kickback.

Do not attach a saw chain woodcarving blade or toothed saw blade. Such blades create frequent kickback and loss of control over the power tool.

Safety warnings specific for sanding operations

Do not use excessively oversized sanding disc paper. Follow manufacturers recommendations, when selecting sanding paper. Larger sanding paper extending beyond the sanding pad presents a laceration hazard and may cause snagging, tearing of the disc, or kickback.

Safety Warnings specific for Polishing operations

Do not allow any loose portion of the polishing bonnet or its attachment strings to spin freely. Tuck away or trim any loose attachment strings. Loose and spinning attachment strings can entangle your fingers or snag on the workpiece.

Safety warnings specific for wire brushing operations

Be aware that wire bristles are thrown by the brush even during ordinary operation. Do not overstress the wires by applying excessive load to the brush. The wire bristles can easily penetrate light clothing and/or skin.

If the use of a guard is recommended for wire brushing, do not allow any interference of the wire wheel or brush with the guard. Wire wheel or brush may expand in diameter due to work load and centrifugal forces.

Further safety warnings

Make sure that the application tools are mounted in accordance with the manufacturers instructions. The mounted application tools must be able to rotate freely. Incorrectly mounted application tools can become loose during operation and be thrown from the machine.

When using application tools with a threaded insert, take care that the thread in the application tool is long enough to hold the spindle length of the power tool. The thread in the application tool must match the thread on the spindle. Incorrectly mounted application tools can loosen during operation and cause injuries.

Do not machine any material containing asbestos. Asbestos is cancerogenic.

Beware of any concealed electric cables, gas or water conduits; check the working area with a metal detector, for example, before commencing work.

Use a stationary extraction system, blow out ventilation slots frequently and connect a residual current device (RCD) on the line side. When working metal under extreme operating conditions, it is possible for conductive dust to settle in the interior of the power tool. The protective insulation of the power tool can be impaired.

This double-insulated power tool is equipped with a polarized plug (one contact is wider than the other). The plug will only fit into the polarized socket outlet in one position. Turn the plug if it does not fit completely into the socket outlet. If the plug still does not fit, have a qualified electrician install a polarized socket outlet. Do not modify or alter the plug under any circumstances. Double-insulated power tools neither require a three-core power cable nor a power connection with ground contact.

Operate the power tool only off power supplies whose voltage and frequency values correspond with the values on the type plate of the power tool.

If operating a power tool in a damp location is unavoidable, use a residual current device (RCD) protected supply. Using special rubber protective gloves and footwear increases your own safety.

NOTE: Such a device is also known as ground fault circuit interrupter (GFCI) or earth leakage circuit breaker (ELCB).

Use clamps or another practical way to secure and support the workpiece to a stable platform. Holding the work by hand or against your body leaves it unstable and may lead to loss of control.

Handling hazardous dusts

⚠ WARNING **When working with power tools, such as when grinding, sanding, polishing, sawing or for other work procedures where material is removed, dusts develop that are both hazardous to one's health and can spontaneously combust or be explosive.**

Contact with or inhaling some dust types can trigger allergic reactions to the operator or bystanders and/or lead to respiratory infections, cancer, birth defects or other reproductive harm.

Examples of such materials and therein contained chemicals, where hazardous dusts can develop when working them, are:

- Asbestos and materials containing asbestos;
- Lead-containing coatings, some wood types such as beech and oak;
- Minerals and metal;

Before mounting or replacing application tools or accessories, pull the power plug. This preventive safety measure rules out the danger of injuries through accidental starting of the power tool.

Use appropriate detectors to determine if utility lines are hidden in the work area or call the local utility company for assistance. Contact with electric lines can lead to fire and electric shock. Damaging a gas line can lead to explosion. Penetrating a water line causes property damage or may cause an electric shock.

Do not direct the power tool against yourself, other persons or animals. Danger of injury from sharp or hot application tools.

Do not rivet or screw any name-plates or signs onto the power tool. If the insulation is damaged, protection against an electric shock will be ineffective. Adhesive labels are recommended.

Always work using the auxiliary handle. The auxiliary handle ensures reliable guidance of the power tool.

Before putting into operation, check the main connection and the main plug for damage.

- Silicate particles from bricks, concrete and other materials containing stone;
- Solvent from solvent-containing paint/varnish;
- Arsenic, chromium and other wood preservatives;
- Materials for pesticide treatment on boat and ship hulls.

To minimise the unwanted intake of these materials:

- Use dust extraction matched appropriately for the developing dust.
- Use personal protective equipment, such as a P2 filter-class dust protection mask.
- Provide for good ventilation of the workplace.



The risk from inhaling dusts depends on the frequency how often these materials are worked. Materials containing asbestos may only be worked by specialists.

⚠ CAUTION **Wood and light-metal dust can cause spontaneous combustion or explosions.**

Hot mixtures of sanding dust and paint/varnish remainders or other chemical materials in the filter bag or the vac filter can self-ignite under unfavourable conditions, such as sparking from sanding metal, continuous sunlight or high ambient temperatures. To prevent this:

- Avoid overheating the material being sanded and the power tool.
- Empty the dust collector/container in time.
- Observe the material manufacturer's working instructions.
- Observe the relevant regulations in your country for the materials being worked.

Hand/arm vibrations

⚠ WARNING **While working with this power tool, hand/arm vibrations occur.** These can lead to health impairments.

⚠ WARNING The vibration emission value during actual use of the power tool can differ from the declared value depending on the ways in which the tool is used.

⚠ WARNING It is necessary to identify safety measures to protect the operator that are based on an estimation of exposure in the actual conditions of use.

The vibration emission level given in this information sheet has been measured in accordance with a standardised test given in EN 60745 and may be used to compare one tool with another. It may be used for a preliminary assessment of exposure.

The declared vibration emission level represents the main applications of the tool. However if the tool is used for different

applications, with different accessories or poorly maintained, the vibration emission may differ. This may significantly increase the exposure level over the total working period.

An estimation of the level of exposure to vibration should also take into account the times when the tool is switched off or when it is running but not actually doing the job.

This may significantly reduce the exposure level over the total working period.

Identify additional safety measures to protect the operator from the effects of vibration such as: maintain the tool and the accessories, keep the hands warm, organisation of work patterns.

The vibrational emission values are given for polishing with lambskin and sanding with sanding sheet. Other applications, such as polishing with other polishing accessories than the lambskin can lead to other vibrational emission values.

Emission values for sound and vibration (Two-figure – specifications as per ISO 4871)**Sound emission**

	WP014-15E	WP014-25E
Measured A-weighted sound power level L_{wA} (re 1 pW), in decibels	95	95
Measuring uncertainty K_{wA} , in decibels	3	3
A-weighted emission pressure power level measured at the workplace L_{pA} (re 20 μ Pa), in decibels	84	84
Measuring uncertainty K_{pA} , in decibels	3	3
C-weighted peak sound pressure level measured at the workplace L_{pCpeak} , in decibels	100	100
Measuring uncertainty K_{pCpeak} , in decibels	3	3

Vibrationsmean vibrational value for polishing $a_{h,P}$, in m/s^2 ft/s^2 2.5
8.23.5
11.5

mean vibrational value for sanding with sanding sheet

 $a_{h,DS}$, in m/s^2 ft/s^2 3.5
11.53.5
11.5

Measuring uncertainty K, in

 m/s^2 ft/s^2 1.5
4.51.5
4.5

REMARK: The sum of the measured emission value and respective measuring inaccuracy represents the upper limit of the values that can occur during measuring.



Wear ear protection!

Measured values determined in accordance with the corresponding product standard.

Extension cord

WARNING If the use of an extension cable is required, its length and conductor cross-section must be adequate for the applicational case, in order to prevent a voltage drop in the extension cable, power loss and overheating of the power tool. Otherwise, the extension cable and power tool are liable to electrical danger, and the working efficiency is impaired.

Recommended dimensions of extension cords at an operating voltage of 120 V – single-phase a. c., with only one power tool WP014-15E/ WP014-25E connected:

Cord Size in A.W.G.		Wire Sizes in mm ²	
14	12	2.5	4.0
Cord Length in Feet		Cord Length in Meters	
100	150	30	60

Intended use of the power tool.














hand-guided polisher for dry polishing, sanding with sanding discs and brushing surfaces of metal, stone, plastic, wood, composite materials, paint/varnish, filler and similar materials in weather-protected environments using the application tools and accessories recommended by FEIN.





Operation of the power tool off power generators.

! This machine is also intended to be powered by a. c. generators with sufficient power output that correspond with ISO 8528, design class G2. Compliance with this Standard in particular is not given when the so-called distortion factor exceeds 10%. When in doubt, inform yourself about the generator in use.

WARNING Operating the power tool off power generators whose no-load voltage exceeds the voltage value on the type plate of the power tool is prohibited.

Symbols.

Symbol	Explanation
	Action to be taken by the user
	General prohibition sign. This action is forbidden!
	Do not touch the rotating grinding wheels.
	Follow the instructions in the adjacent text or graphic!
 	Be absolutely sure to read the enclosed documentation such as the Instruction Manual and the General Safety Instructions.
	Before commencing this working step, pull the mains plug out of the socket. Otherwise there will be danger of injury if the power tool should start unintentionally.
	Use eye-protection during operation.
	Use ear protection during operation.
	Use protective gloves during operation.
	An exposed surface is very hot if touched and therefore dangerous.
	This symbol confirms the certification of this product for the USA and Canada.
 DANGER	This sign warns of a directly imminent, dangerous situation. A false reaction can cause a severe or fatal injury.

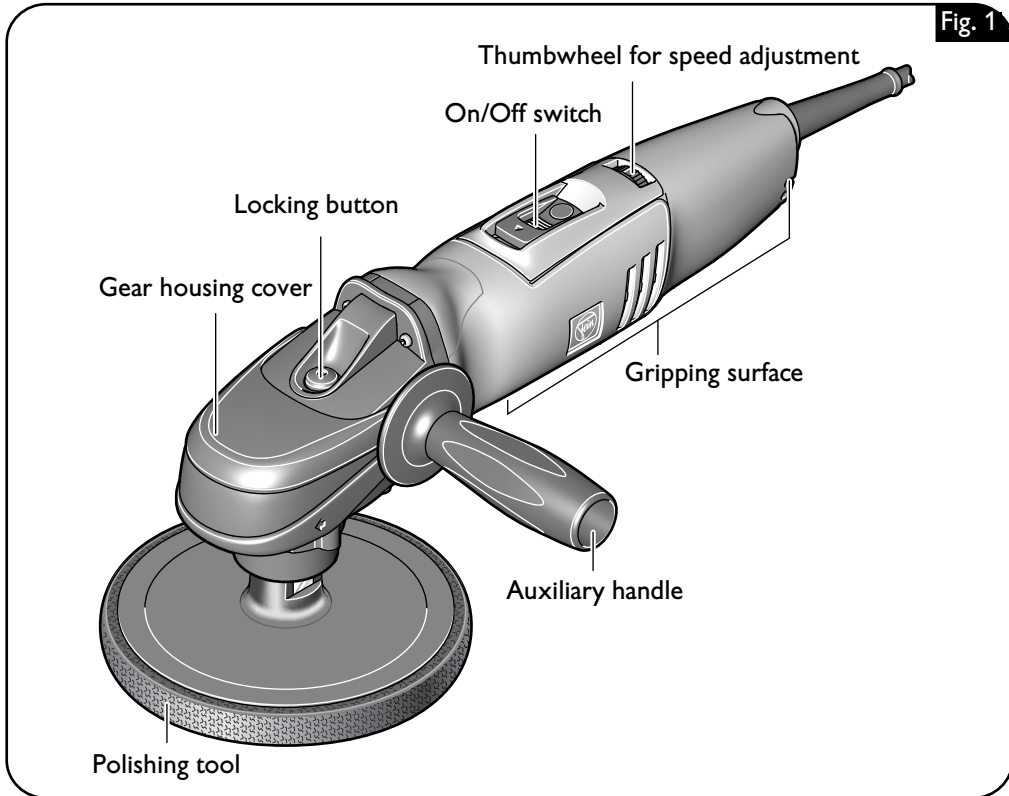
Symbol	Explanation
 WARNING	This sign indicates a possible dangerous situation that could cause severe or fatal injury.
 CAUTION	This sign warns of a possible dangerous situation that could cause injury.
	Worn out power tools and other electrotechnical and electrical products should be sorted separately for environment-friendly recycling.
	Product with double or reinforced insulation
~ or a. c.	Alternating current
1 ~	Alternating current single-phase
∅	Diameter of a round part

Character	Unit of measure, national	Explanation
n	rpm	Rated speed
P	W	Unit of measure for electrical power
	°	Unit of measure for the angle width
U	V	Unit of measure for the electric voltage
f	Hz	Unit of measure for the frequency
I	A	Unit of measure for the electric current intensity
m	lbs	Unit of measure for the mass
l	ft, in	Unit of measure for length, width, height or depth
	m, s, kg, A, mm, V, W, Hz, N, °C, dB, min, m/s ²	Basic and derived units of measure from the international system of units SI .

Technical description and specifications.

⚠ WARNING Before mounting or replacing application tools or accessories, pull the power plug. This preventive safety measure rules out the danger of injuries through accidental starting of the power tool.

Only part of the accessories described or shown in this instruction manual will be included with your power tool.



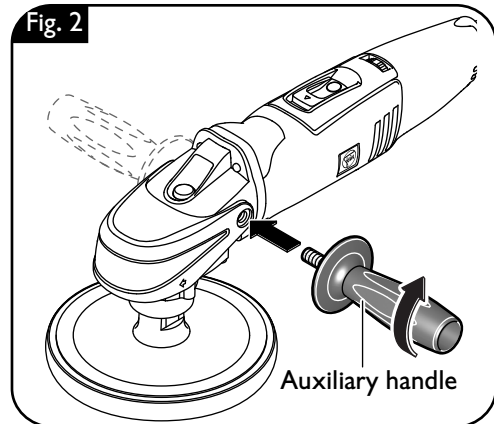
Type	WP014-15E	WP014-25E
Reference number	7 221 48	7 221 49
Power input	1200 W	1200 W
Output	750 W	750 W
Power supply type	1 ~	1 ~
Rated speed	500–1500 rpm	900–2500 rpm
max. diameter of backing pad	9 in 230 mm	9 in 230 mm
Thread for clamping flange	5/8 in–11 UNC	5/8 in–11 UNC
Length of mounting thread	3/4 in 20 mm	3/4 in 20 mm
Weight according to EPTA-Procedure 01/2003	5.5 lbs (2.5 kg)	5.5 lbs (2.5 kg)
Class of protection	II □	II □

Assembly instructions.

⚠ WARNING Before mounting or replacing application tools or accessories, pull the power plug. This preventive safety measure rules out the danger of injuries through accidental starting of the power tool.

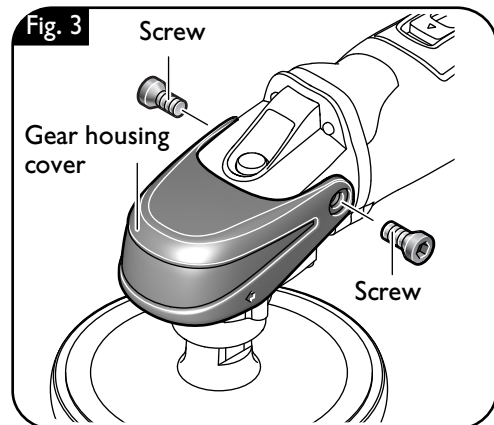
Mounting the auxiliary handle (Figure 2).

- Screw the auxiliary handle tightly onto the left or right side of the power tool, depending on the working method.



Mounting the gear housing cover (Figure 3).

- Mount the gear housing cover onto the gear case and tighten with the 2 screws.

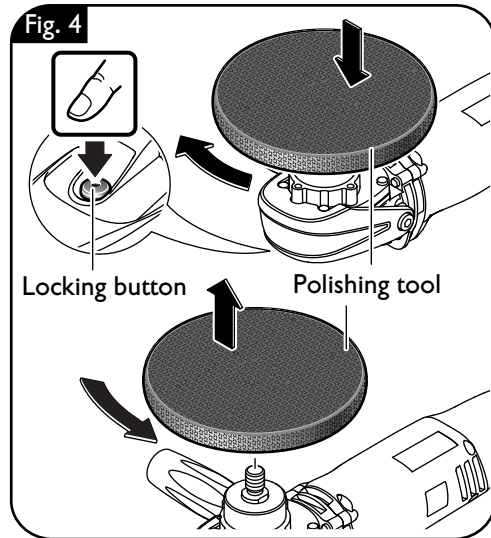


Changing the tool.

⚠ WARNING Before mounting or replacing application tools or accessories, pull the power plug. This preventive safety measure rules out the danger of injuries through accidental starting of the power tool.

Mounting the polishing tool (Figure 4).

- ❗ Only press the locking button when the motor is not running.
 - Press and hold the locking button.
- ⚠ Replace the used-up polishing tool or insert a new one.
 - Press and hold the locking button.
- Tighten the polishing tool.



Working instructions.

⚠ WARNING Before mounting or replacing application tools or accessories, pull the power plug. This preventive safety measure rules out the danger of injuries through accidental starting of the power tool.

- ❗ For each job, use only the FEIN application tool released and intended for the respective application.

Switching ON and OFF (Figure 5).

⚠ WARNING First check that the power cable and power plug are not damaged.

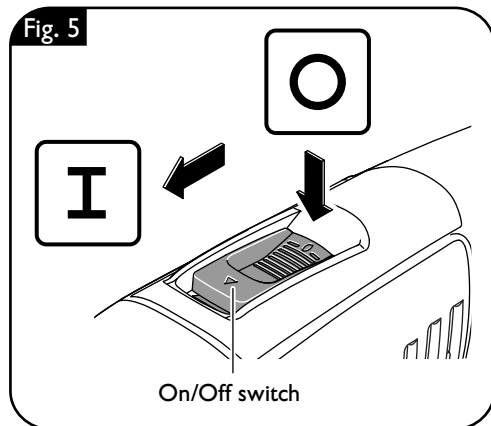
⚠ CAUTION Always hold the power tool firmly. Otherwise, you could lose control over the power tool.

Switching ON:

- Push the switch towards the front (I).

Switching OFF:

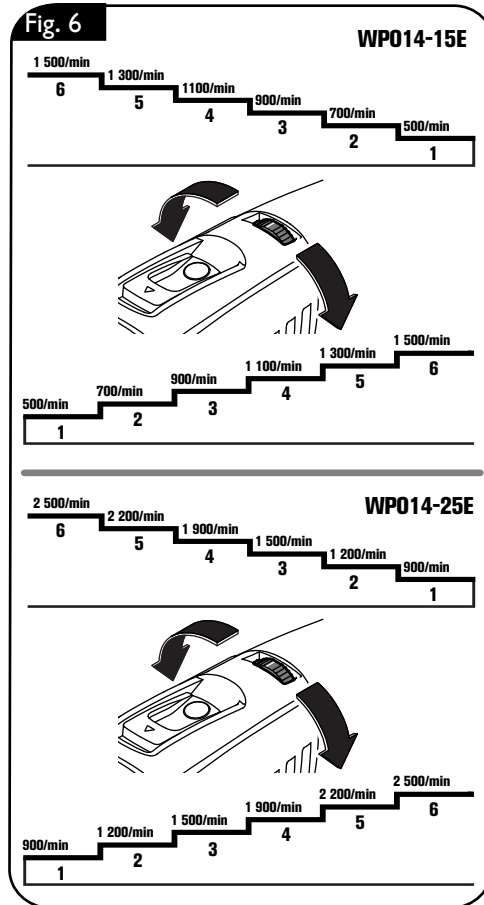
- Press the switch downward (0).



Setting the speed (Figure 6).

The speed can be variably adjusted in the range indicated in the following figure.

- Turn the thumbwheel between “1” for the lowest speed and “6” for the highest speed.



Securing the work piece.

- ⚠ ➤ **Secure the workpiece adequately.** A workpiece that is not properly secured can, for example, cause the accessory to jam and kick back, fall and cause other hazards.

Maintenance.

⚠ WARNING Before mounting or replacing application tools or accessories, pull the power plug. This preventive safety measure rules out the danger of injuries through accidental starting of the power tool.

Service

⚠ WARNING Have maintenance carried out only through qualified personnel. Incorrectly mounted leads and components can cause serious injuries. Have the required service carried out only through a FEIN customer service agent.

Cleaning

⚠ WARNING Prior to any cleaning or maintenance, disconnect the power tool from the power supply in order to avoid accidents.

⚠ WARNING When using in environments with conductive dust in the air, such as when working metals, this dust can settle in the interior of the power tool. This can impair the total insulation of the power tool. Therefore, regularly blow out the interior of the power tool from outside via the ventilation openings with dry, oil-free compressed air; always wear eye protection when doing this. For additional protection, connect a residual current device (RCD) on the line side.

! Do not attempt to clean clogged or dirty ventilation openings of the power tool with pointed metal objects; use non-metal tools or objects for this.

! Do not use cleaning agents and solvents that can cause damage to plastic parts.

These include: Gasoline, carbon-tetrachloride, chloric solvents, ammonia and domestic cleaning agents that contain ammonia.

! When the power tool's power cable is damaged, it must be replaced by a qualified person using a specially prepared power cable, available from your FEIN customer service agent.

If required, you can change the following parts yourself: Application tools, auxiliary handle, safety guard, work arbors, flanges.

Warranty and liability.

The warranty for the product is valid in accordance with the legal regulations in the country where it is marketed.

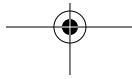
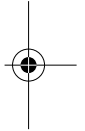
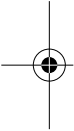
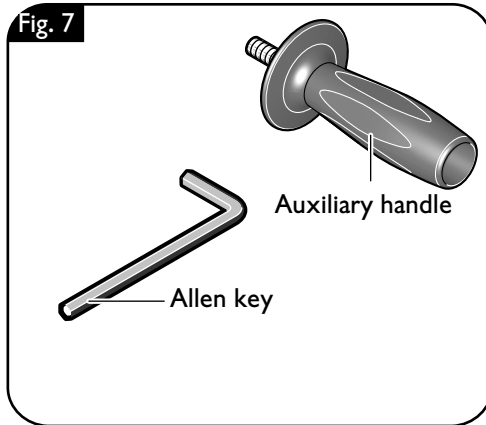
In addition, FEIN also provides a guarantee in accordance with the FEIN manufacturer's guarantee. For further details on this, please contact your specialist dealer, your national FEIN representative, or the FEIN customer service center.

Environmental protection, disposal.

Packaging, worn out power tools and accessories should be sorted for environment-friendly recycling. Further information can be obtained from your specialist dealer.



Provided Accessories (Figure 7).





Selection of accessories (Figures 8–11).

The accessories must be intended for the power tool type.

- A Backing pad for lambskin with tensioning cord
- B Backing pad with Velcro, Velcro sanding sheets, sanding fleece with Velcro attachment, sponges, lambskin
- C Cup brush
- D Steel wire brush
- E Backing pad
- F Extraction hood
- G Nettle buffer/Flannel buffer
- H Abrasive fleece wheel
- I Polishing wheel
- J Sanding fleece, polishing rings
- K Elastic sanding cylinder, lamella fleece cylinder
- L Sanding strip roll
- M Expanding roll for sanding sleeves

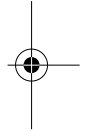
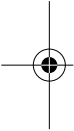
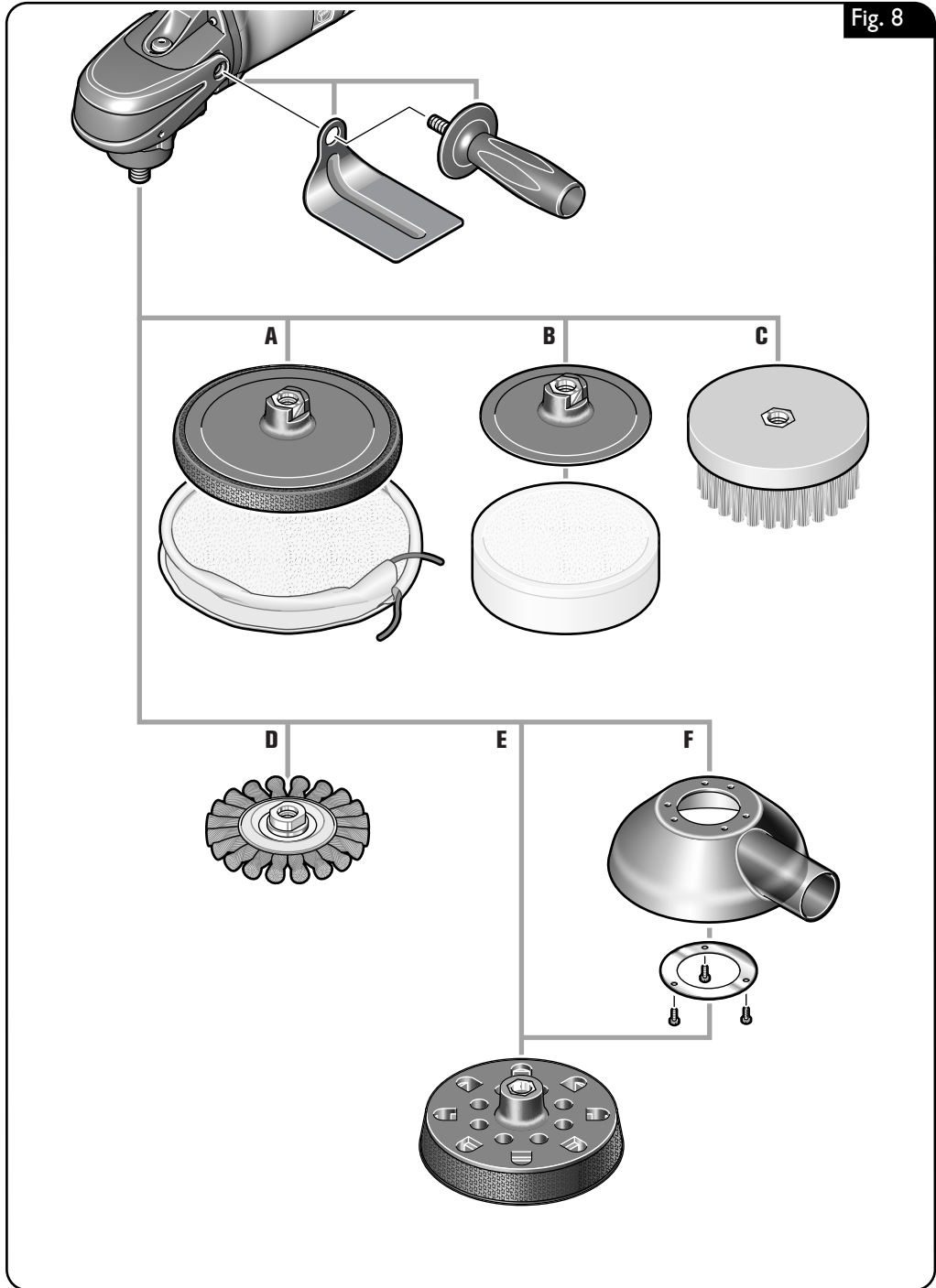




Fig. 8



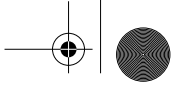
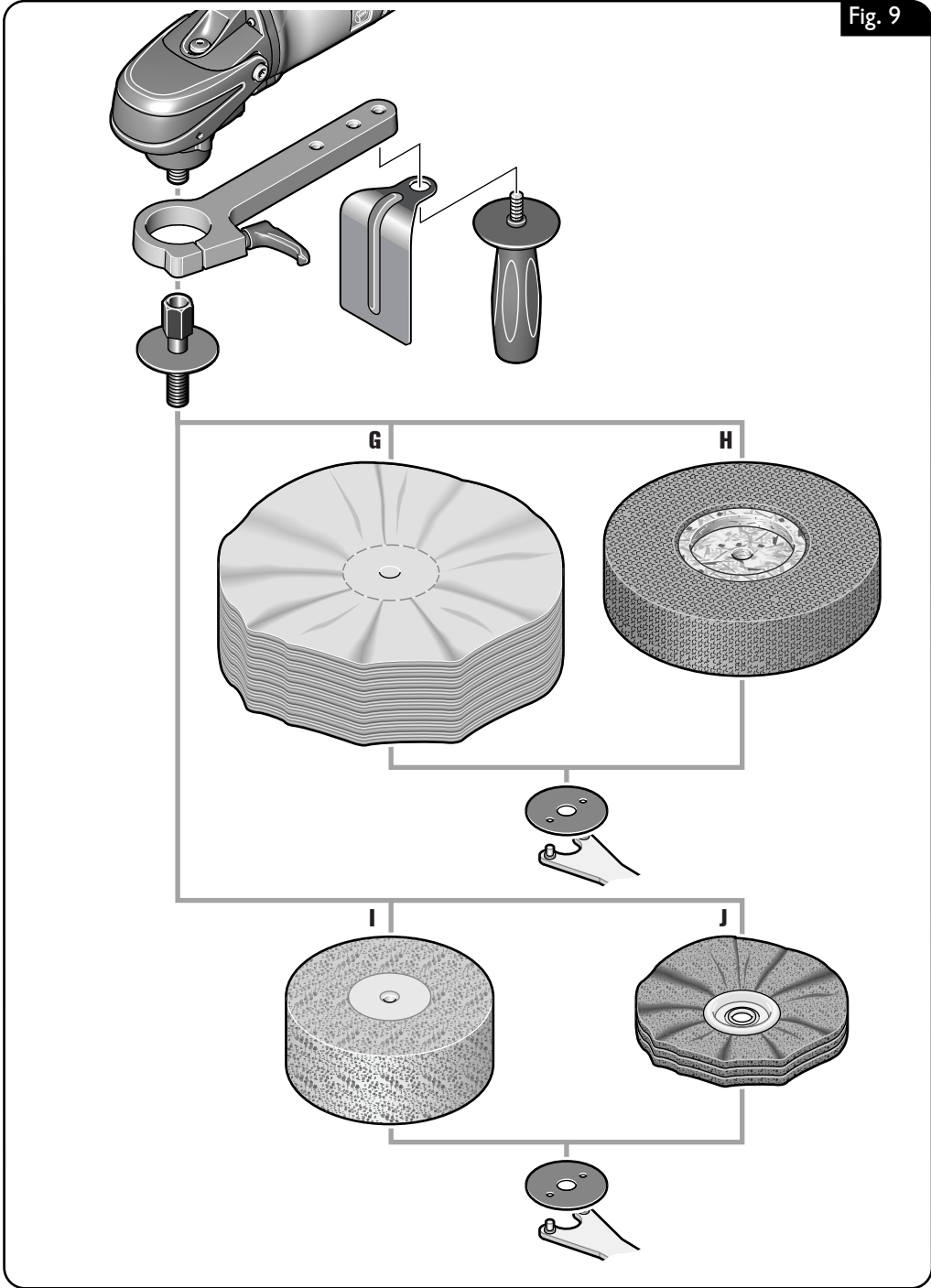
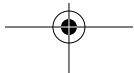
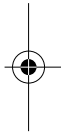
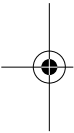
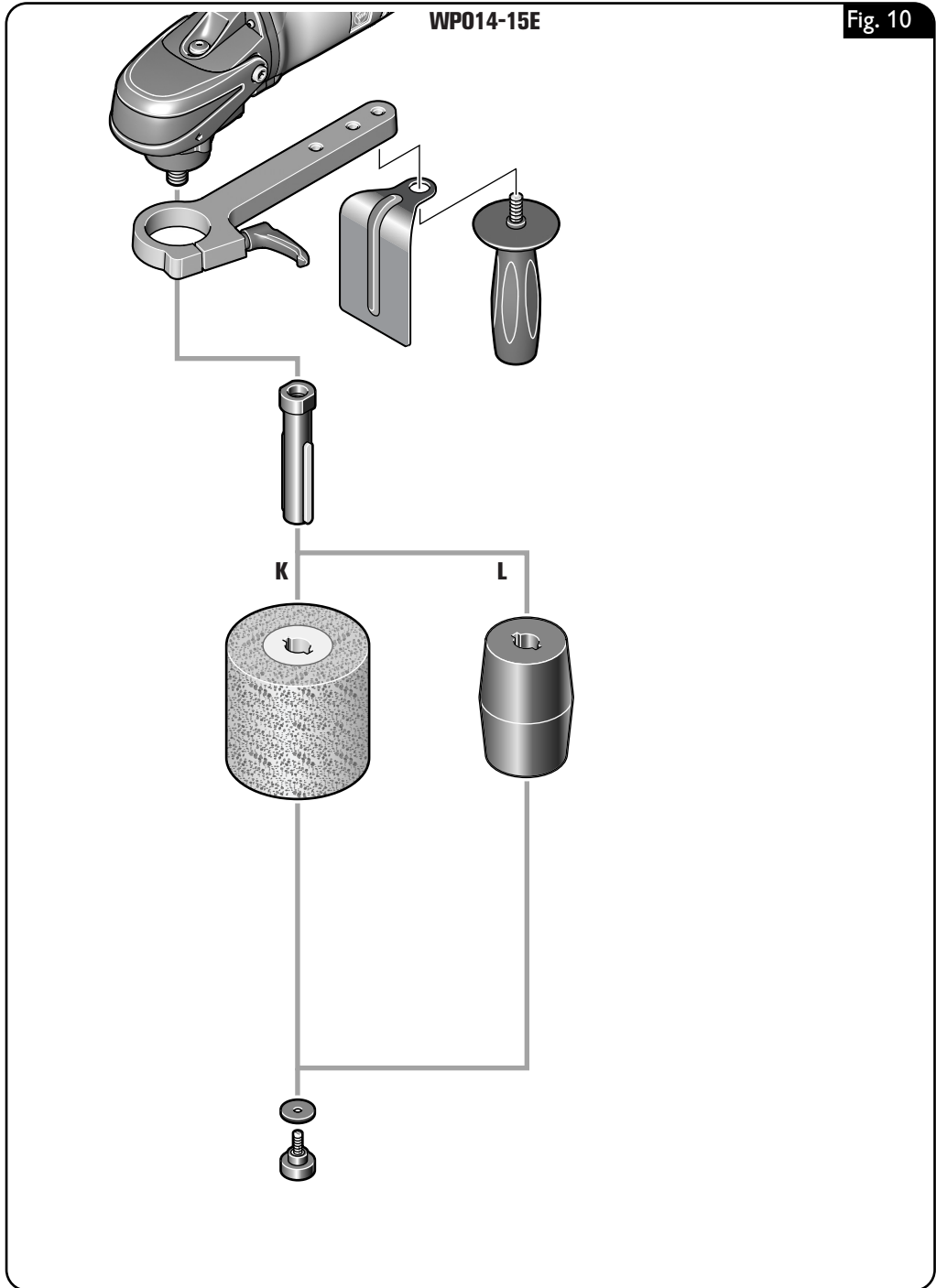
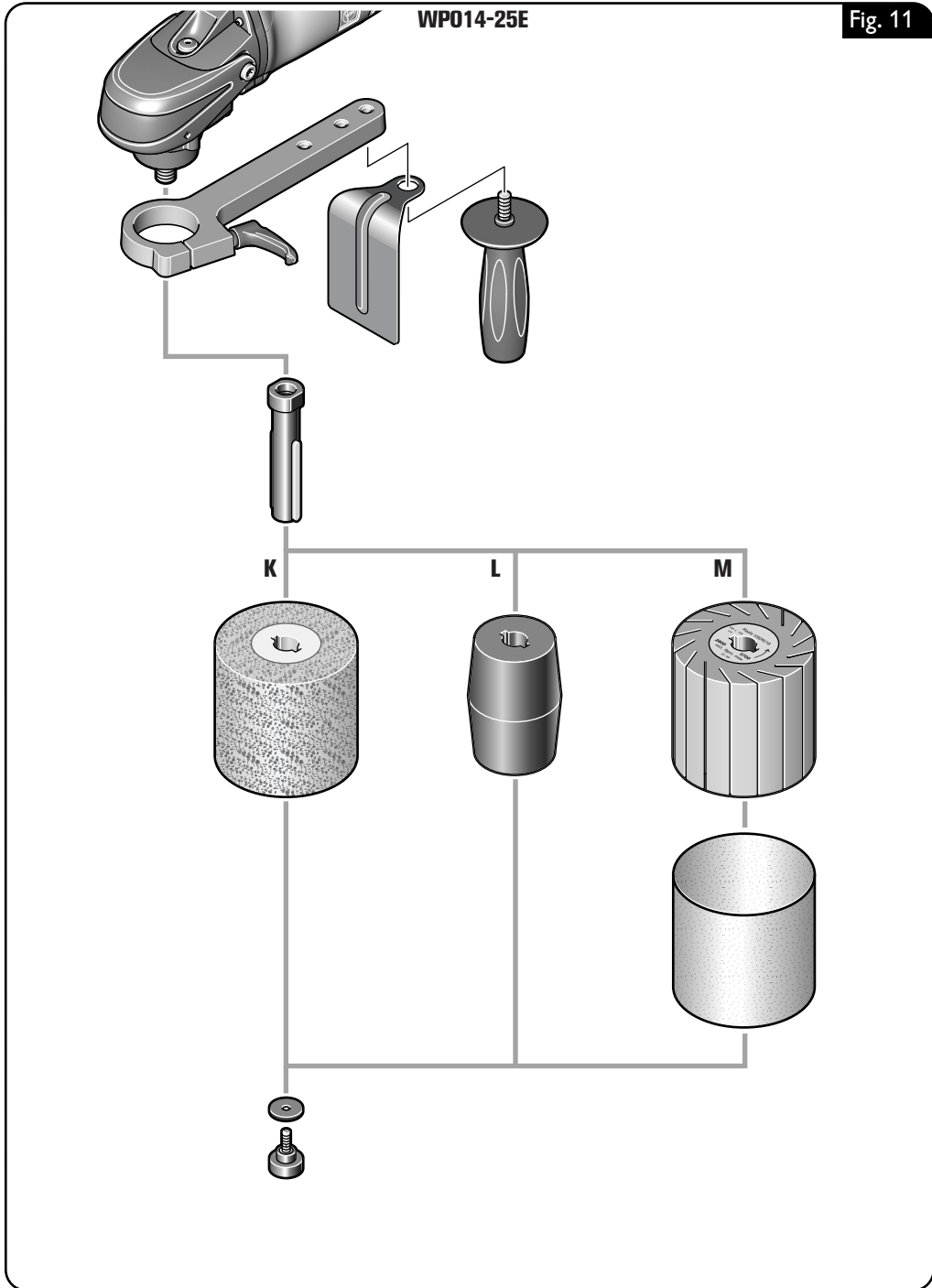


Fig. 9








Pour votre sécurité.

⚠ AVERTISSEMENT Lire tous les avertissements de sécurité et toutes les instructions. Ne pas suivre les avertissements et instructions peut donner lieu à un choc électrique, un incendie et/ou une blessure sérieuse.

Conserver tous les avertissements et toutes les instructions pour pouvoir s'y reporter ultérieurement.

 Ne pas utiliser cet outil électroportatif, avant d'avoir soigneusement lu et complètement compris cette notice d'utilisation y compris les figures, les spécifications, les règles de sécurité ainsi que les indications marquées par DANGER, AVERTISSEMENT et ATTENTION.

N'effectuer avec cet outil électrique que des travaux pour lesquels il a été conçu par FEIN. N'utiliser que des outils de travail et accessoires autorisés par FEIN.

Veuillez également tenir compte des réglementations nationales de protection du travail. Le non-respect des instructions de sécurité se trouvant dans la documentation mentionnée peut entraîner un choc électrique, un incendie et/ou de graves blessures.

Bien garder cette notice d'utilisation en vue d'une utilisation ultérieure ; elle doit être jointe à l'outil électroportatif en cas de transmission ou de vente à une tierce personne. GARDER PRÉCIEUSEMENT CES INSTRUCTIONS DE SÉCURITÉ.

Instructions générales de sécurité.

1) Place de travail

- a) **Maintenez l'endroit de travail propre et bien éclairé.** Un lieu de travail en désordre ou mal éclairé augmente le risque d'accidents.
- b) **N'utilisez pas l'appareil dans un environnement présentant des risques d'explosion et où se trouvent des liquides, des gaz ou poussières inflammables.** Les outils électroportatifs génèrent des étincelles risquant d'enflammer les poussières ou les vapeurs.

- c) **Tenez les enfants et autres personnes éloignés durant l'utilisation de l'outil électroportatif.** En cas d'inattention vous risquez de perdre le contrôle sur l'appareil.

2) Sécurité relative au système électrique

- a) **La fiche de secteur de l'outil électroportatif doit être appropriée à la prise de courant. Ne modifiez en aucun cas la fiche. N'utilisez pas de fiches d'adaptateur avec des appareils avec mise à la terre.** Les fiches non modifiées et les prises de courant appropriées réduisent le risque de choc électrique.
- b) **Évitez le contact physique avec des surfaces mises à la terre tels que tuyaux, radiateurs, fours et réfrigérateurs.** Il y a un risque élevé de choc électrique au cas où votre corps serait relié à la terre.
- c) **N'exposez pas l'outil électroportatif à la pluie ou à l'humidité.** La pénétration d'eau dans un outil électroportatif augmente le risque d'un choc électrique.
- d) **N'utilisez pas le câble à d'autres fins que celles prévues, n'utilisez pas le câble pour porter l'appareil ou pour l'accrocher ou encore pour le débrancher de la prise de courant. Maintenez le câble éloigné des sources de chaleur, des parties grasses, des bords tranchants ou des parties de l'appareil en rotation.** Un câble endommagé ou torsadé augmente le risque d'un choc électrique.
- e) **Au cas où vous utiliseriez l'outil électroportatif à l'extérieur, utilisez une rallonge autorisée homologuée pour les applications extérieures.** L'utilisation d'une rallonge électrique homologuée pour les applications extérieures réduit le risque d'un choc électrique.

3) Sécurité des personnes

- a) **Restez vigilant, surveillez ce que vous faites. Faites preuve de bon sens en utilisant l'outil électroportatif. N'utilisez pas l'appareil lorsque vous êtes fatigué ou après avoir consommé de l'alcool, des drogues ou avoir pris des médicaments.** Un moment d'inat-

tention lors de l'utilisation de l'appareil peut entraîner de graves blessures sur les personnes.

- b) **Portez des équipements de protection. Portez toujours des lunettes de protection.** Le fait de porter des équipements de protection personnels tels que masque anti-poussières, chaussures de sécurité antidérapantes, casque de protection ou protection acoustique suivant le travail à effectuer, réduit le risque de blessures.
- c) **Évitez une mise en service par mégarde. Assurez-vous que l'interrupteur est effectivement en position d'arrêt avant de retirer la fiche de la prise de courant.** Le fait de porter l'appareil avec le doigt sur l'interrupteur ou de brancher l'appareil sur la source de courant lorsque l'interrupteur est en position de fonctionnement, peut entraîner des accidents.
- d) **Enlevez tout outil de réglage ou toute clé avant de mettre l'appareil en fonctionnement.** Une clé ou un outil se trouvant sur une partie en rotation peut causer des blessures.
- e) **Ne surestimez pas vos capacités. Veillez à garder toujours une position stable et équilibrée.** Ceci vous permet de mieux contrôler l'appareil dans des situations inattendues.
- f) **Portez des vêtements appropriés. Ne portez pas de vêtements amples ni de bijoux. Maintenez cheveux, vêtements et gants éloignés des parties de l'appareil en rotation.** Des vêtements amples, des bijoux ou des cheveux longs peuvent être happés par des pièces en mouvement.
- g) **Si des dispositifs servant à aspirer ou à recueillir les poussières doivent être utilisés, vérifiez que ceux-ci soient effectivement raccordés et qu'ils sont correctement utilisés.** L'utilisation de tels dispositifs réduit les dangers dus aux poussières.
- 4) **Utilisation et emploi soigneux de l'outil électroportatif**
- a) **Ne surchargez pas l'appareil. Utilisez l'outil électroportatif approprié au travail à effectuer.** Avec l'outil électroportatif approprié, vous travaillerez mieux et avec plus de sécurité à la vitesse pour laquelle il est prévu.
- b) **N'utilisez pas un outil électroportatif dont l'interrupteur est défectueux.** Un outil électroportatif qui ne peut plus être mis en ou hors fonctionnement est dangereux et doit être réparé.
- c) **Retirez la fiche de la prise de courant avant d'effectuer des réglages sur l'appareil, de changer les accessoires, ou de ranger l'appareil.** Cette mesure de précaution empêche une mise en fonctionnement par mégarde.
- d) **Gardez les outils électroportatifs non utilisés hors de portée des enfants. Ne permettez pas l'utilisation de l'appareil à des personnes qui ne se sont pas familiarisées avec celui-ci ou qui n'ont pas lu ces instructions.** Les outils électroportatifs sont dangereux lorsqu'ils sont utilisés par des personnes non initiées.
- e) **Prenez soin des outils électroportatifs. Vérifiez que les parties en mouvement fonctionnent correctement et qu'elles ne soient pas coincées, et contrôlez si des parties sont cassées ou endommagées de telle sorte que le bon fonctionnement de l'appareil s'en trouve entravé. Faites réparer les parties endommagées avant d'utiliser l'appareil.** De nombreux accidents sont dus à des outils électroportatifs mal entretenus.
- f) **Maintenez les outils de coupe aiguisés et propres.** Des outils soigneusement entretenus avec des bords tranchants bien aiguisés se coincent moins souvent et peuvent être guidés plus facilement.
- g) **Utilisez les outils électroportatifs, les accessoires, les outils à monter etc. conformément à ces instructions et aux prescriptions en vigueur pour ce type d'appareil. Tenez compte également des conditions de travail et du travail à effectuer.** L'utilisation des outils électroportatifs à d'autres fins que celles prévues peut entraîner des situations dangereuses.

5) Service

- a) **Ne faites réparer votre outil électroportatif que par un personnel qualifié et seulement avec des pièces de rechange d'origine.** Ceci permet d'assurer la sécurité de l'appareil.

Instructions particulières de sécurité.

Avertissements de sécurité communs pour les opérations de meulage, de ponçage, de brossage métallique, de lustrage ou de tronçonnage

Cet outil électrique est destiné à fonctionner comme ponceuse, brosse métallique et polisseuse. Lire toutes les mises en garde de sécurité, les instructions, les illustrations et les spécifications fournies avec cet outil électrique. Le fait de ne pas suivre toutes les instructions données ci-dessous peut provoquer un choc électrique, un incendie et/ou une blessure grave.

Les opérations de ponçage et de tronçonnage ne sont pas recommandées avec cet outil électrique. Les opérations pour lesquelles l'outil électrique n'a pas été conçu peuvent provoquer un danger et causer un accident corporel.

Ne pas utiliser d'accessoires non conçus spécifiquement et recommandés par le fabricant d'outils. Le simple fait que l'accessoire puisse être fixé à votre outil électrique ne garantit pas un fonctionnement en toute sécurité.

La vitesse assignée de l'accessoire doit être au moins égale à la vitesse maximale indiquée sur l'outil électrique. Les accessoires fonctionnant plus vite que leur vitesse assignée peuvent se rompre et voler en éclat.

Le diamètre extérieur et l'épaisseur de votre accessoire doivent se situer dans le cadre des caractéristiques de capacité de votre outil électrique. Les accessoires dimensionnés de façon incorrecte ne peuvent pas être protégés ou commandés de manière appropriée.

La taille de mandrin des meules, flasques, patins d'appui ou tout autre accessoire doit s'adapter correctement à l'arbre de l'outil électrique. Les accessoires avec alésages centraux

ne correspondant pas aux éléments de montage de l'outil électrique seront en déséquilibre, vibreront excessivement, et pourront provoquer une perte de contrôle.

Ne pas utiliser d'accessoire endommagé. Avant chaque utilisation examiner les accessoires comme les meules abrasives pour détecter la présence éventuelle de copeaux et fissures, les patins d'appui pour détecter des traces éventuelles de fissures, de déchirure ou d'usure excessive, ainsi que les brosses métalliques pour détecter des fils desserrés ou fissurés. Si l'outil électrique ou l'accessoire a subi une chute, examiner les dommages éventuels ou installer un accessoire non endommagé. Après examen et installation d'un accessoire, placez-vous ainsi que les personnes présentes à distance du plan de l'accessoire rotatif et faire marcher l'outil électrique à vitesse maximale à vide pendant 1 min. Les accessoires endommagés seront normalement détruits pendant cette période d'essai.

Porter un équipement de protection individuelle. En fonction de l'application, utiliser un écran facial, des lunettes de sécurité ou des verres de sécurité. Le cas échéant, utiliser un masque antipoussières, des protections auditives, des gants et un tablier capables d'arrêter les petits fragments abrasifs ou des pièces à usiner. La protection oculaire doit être capable d'arrêter les débris volants produits par les diverses opérations. Le masque antipoussières ou le respirateur doit être capable de filtrer les particules produites par vos travaux. L'exposition prolongée aux bruits de forte intensité peut provoquer une perte de l'audition.

Maintenir les personnes présentes à une distance de sécurité par rapport à la zone de travail. Toute personne entrant dans la zone de



travail doit porter un équipement de protection individuelle. Des fragments de pièce à usiner ou d'un accessoire cassé peuvent être projetés et provoquer des blessures en dehors de la zone immédiate d'opération.

Ne tenir l'outil électrique que par les surfaces isolées des poignées lors des travaux pendant lesquels l'outil de travail risquerait de toucher des câbles électriques invisibles ou son propre câble. Le contact de l'accessoire coupant avec un fil « sous tension » peut également mettre « sous tension » les parties métalliques exposées de l'outil électrique et provoquer un choc électrique sur l'opérateur.

Placer le câble éloigné de l'accessoire de rotation. Si vous perdez le contrôle, le câble peut être coupé ou subir un accroc et votre main ou votre bras peut être tiré dans l'accessoire de rotation.

Ne jamais reposer l'outil électrique avant que l'accessoire n'ait atteint un arrêt complet. L'accessoire de rotation peut agripper la surface et arracher l'outil électrique hors de votre contrôle.

Ne pas faire fonctionner l'outil électrique en le portant. Un contact accidentel avec l'accessoire de rotation pourrait accrocher vos vêtements et attirer l'accessoire sur vous.

Nettoyer régulièrement les orifices d'aération de l'outil électrique. Le ventilateur du moteur attirera la poussière à l'intérieur du boîtier et une accumulation excessive de poudre de métal peut provoquer des dangers électriques.

Ne pas faire fonctionner l'outil électrique à proximité de matériaux inflammables. Des étincelles pourraient enflammer ces matériaux.

Ne pas utiliser d'accessoires qui nécessitent des réfrigérants fluides. L'utilisation d'eau ou d'autres réfrigérants fluides peut aboutir à une électrocution ou un choc électrique.

Rebonds et mises en garde correspondantes

Le rebond est une réaction soudaine au pincement ou à l'accrochage d'une meule rotative, d'un patin d'appui, d'une brosse ou de tout autre accessoire. Le pincement ou l'accrochage provoque un blocage rapide de l'accessoire en rotation qui, à son tour, contraint l'outil électrique hors de contrôle dans le sens opposé de rotation de l'accessoire au point du grippage.

Par exemple, si une meule abrasive est accrochée ou pincée par la pièce à usiner, le bord de la meule qui entre dans le point de pincement peut creuser la surface du matériau, provoquant des sauts ou l'expulsion de la meule. La meule peut sauter en direction de l'opérateur ou encore en s'en éloignant, selon le sens du mouvement de la meule au point de pincement. Les meules abrasives peuvent également se rompre dans ces conditions. Le rebond résulte d'un mauvais usage de l'outil et/ou de procédures ou de conditions de fonctionnement incorrectes et peut être évité en prenant les précautions appropriées spécifiées ci-dessous.

Maintenir fermement l'outil électrique et placer votre corps et vos bras pour vous permettre de résister aux forces de rebond. Toujours utiliser une poignée auxiliaire, le cas échéant, pour une maîtrise maximale du rebond ou de la réaction de couple au cours du démarrage. L'opérateur peut maîtriser les couples de réaction ou les forces de rebond, si les précautions qui s'imposent sont prises.

Ne jamais placer votre main à proximité de l'accessoire en rotation. L'accessoire peut effectuer un rebond sur votre main.

Ne pas vous placer dans la zone où l'outil électrique se déplacera en cas de rebond. Le rebond pousse l'outil dans le sens opposé au mouvement de la meule au point d'accrochage.

Apporter un soin particulier lors de travaux dans les coins, les arêtes vives etc. Éviter les rebondissements et les accrochages de l'accessoire. Les coins, les arêtes vives ou les rebondissements ont tendance à accrocher l'accessoire en rotation et à provoquer une perte de contrôle ou un rebond.

Ne pas utiliser de chaîne coupante, ni de lame de scie dentée. De telles lames provoquent des rebonds fréquents et des pertes de contrôle.

Mises en garde de sécurité spécifiques aux opérations de ponçage

Ne pas utiliser de papier abrasif trop surdimensionné pour les disques de ponçage. Suivre les recommandations des fabricants, lors du choix du papier abrasif. Un papier abrasif plus grand s'étendant au-delà du patin de ponçage présente un danger de lacération et peut provoquer un accrochage, une déchirure du disque ou un rebond.

Avertissements de sécurité spécifiques aux opérations de lustrage

Ne permettre à aucune partie lâche du bonnet de lustrage ou de ses fils de fixation de tourner librement. Cacher ou tailler tous les fils de fixation lâches. Les fils de fixation lâches et en rotation peuvent s'enchevêtrer sur vos doigts ou s'accrocher sur la pièce à usiner.

Mises en garde de sécurité spécifiques aux opérations de brossage métallique

Garder à l'esprit que des brins métalliques sont rejetés par la brosse même au cours d'une opération ordinaire. Ne pas soumettre à une trop grande contrainte les fils métalliques en appliquant une charge excessive à la brosse. Les brins métalliques peuvent aisément pénétrer dans des vêtements légers et/ou la peau.

Si l'utilisation d'un protecteur est recommandée pour le brossage métallique, ne permettre aucune gêne du touret ou de la brosse métallique au protecteur. Le touret ou la brosse métallique peut se dilater en diamètre en raison de la charge de travail et des forces centrifuges.

Consignes de sécurité supplémentaires

Assurez-vous que les outils de travail sont montés conformément aux indications du fabricant. Une fois les outils de travail montés, ils doivent pouvoir tourner librement. Les outils de travail mal montés peuvent se détacher pendant le travail et être éjectés hors de l'appareil.

Lors de l'utilisation d'outils de travail avec insert de filetage, veillez à ce que le filetage dans l'outil de travail soit suffisamment long pour pouvoir intégrer la longueur de la broche de l'outil électrique. Le filetage dans l'outil électrique doit correspondre à celui de la broche. Les outils de travail mal montés peuvent se détacher lors du travail et causer des blessures.

Ne pas travailler de matériaux contenant de l'amiante. L'amiante est considérée comme étant cancérigène.

Faire attention aux câbles électriques, conduites de gaz et d'eau éventuellement cachés.

Avant de commencer le travail, contrôler la zone de travail à l'aide d'un détecteur de métaux par exemple.

Utilisez un dispositif d'aspiration stationnaire, soufflez souvent les ouïes de ventilation et placez un dispositif à courant différentiel résiduel (RCD) en amont. En cas de conditions d'utilisation extrêmes, il est possible, lorsqu'on travaille des matériaux métalliques, que des poussières conductrices se déposent à l'intérieur de l'outil électrique. Cela peut nuire à la double isolation de l'outil électrique.

Cet outil électrique à double isolation est équipé d'une fiche polarisée (un contact est plus large que l'autre). La fiche ne peut être introduite dans la prise polarisée que dans une seule position. Tourner la fiche au cas où celle-ci n'entrerait pas complètement dans la prise de courant. Au cas où la fiche n'entrerait toujours pas, faire appel à un électricien autorisé à effectuer l'installation d'une prise de courant polarisée. Ne modifier la fiche en aucun cas.

Les outils électriques à double isolation n'ont pas besoin d'un câble de secteur à 3 brins ni d'une connexion au secteur mise à la terre.

N'exploiter l'outil électrique qu'aux alimentations en courant dont les valeurs de tension et de fréquence correspondent aux valeurs indiquées sur la plaque signalétique de l'outil électrique.

Si l'usage d'un outil électrique dans un emplacement humide est inévitable, utilisez une alimentation protégée par un dispositif à courant différentiel réduit (RCD). L'utilisation de gants de protection spécifiques en caoutchouc et de chaussures de protection augmente la sécurité personnelle.

REMARQUE : Un tel composant est aussi appelé disjoncteur-protecteur ou disjoncteur différentiel.

Utiliser des dispositifs de serrage ou d'autres moyens appropriés pour sécuriser la pièce à travailler sur un support stable. Bloquer la pièce avec la main ou la presser contre le corps ne suffit pas et peut entraîner une perte de contrôle.

Avant de commencer les travaux de montage ou avant de changer les outils de travail et les accessoires, retirer la fiche de secteur. Cette mesure de sécurité préventive exclut un danger de blessure causé par un démarrage non intentionné de l'outil électrique.

Maniement de poussières nocives

⚠ AVERTISSEMENT Lors du travail avec des outils, par ex. lors du ponçage, polissage, sciage ou d'autres opérations enlevant du matériau, des poussières sont générées qui peuvent être nocives pour la santé, auto-inflammables ou explosives.

Toucher ou aspirer certaines poussières peut causer des réactions allergiques et/ou des maladies respiratoires, un cancer, des malformations à la naissance ou autres anomalies de reproduction auprès de l'utilisateur ou de personnes se trouvant à proximité.

Quelques exemples de tels matériaux et des produits chimiques qu'ils contiennent dont l'usinage génère des poussières nocives :

- l'amiante et les matériaux contenant de l'amiante ;
- peintures contenant du plomb, certains bois tels que le bois de chêne et de hêtre ;
- minéraux et métal ;

Utiliser des détecteurs appropriés afin de déceler des conduites cachées ou consulter les services locaux d'alimentation autorisés. Un contact avec des fils électriques peut provoquer un incendie ou un choc électrique. Un endommagement d'une conduite de gaz peut provoquer une explosion. La perforation d'une conduite d'eau provoque des dégâts matériels et peut provoquer un choc électrique.

Ne pas diriger l'outil électrique vers soi-même ou vers d'autres personnes ou des animaux. Il y a un danger de blessure causé par des outils de travail tranchants ou chauds.

Il est interdit de visser ou de riveter des plaques ou des repères sur l'outil électrique. Une isolation endommagée ne présente aucune protection contre un choc électrique. Utiliser des autocollants.

Toujours travailler avec la poignée supplémentaire. La poignée supplémentaire garantit un guidage sûr de l'outil électrique.

Avant la mise en service, vérifier que le câble de raccordement et la fiche sont en parfait état.

- les particules de silicate contenues dans les briques, le béton et autres matériaux contenant de la roche ;
- les solvants contenus dans les vernis et peintures ;
- l'arsenic, le chrome et d'autres lazures ;
- produits pour la lutte contre les vermines sur la coque de bateaux et de bâtiments.

Pour minimiser la résorption indésirable de ces matériaux :

- Utiliser une aspiration adaptée à la poussière générée.
- Utilisez des équipements personnels de protection tels que par exemple un masque anti-poussière de la classe filtre P2.
- Veillez à bien aérer la zone de travail.

Le risque causé par l'inhalation des poussières dans les poumons dépend de la fréquence à laquelle ces matériaux sont usinés. Les matériaux contenant de l'amiante ne doivent être usinés que par des personnes qualifiées.

⚠ ATTENTION Les poussières de bois et les poussières de métaux légers peuvent causer une auto-inflammation ou une explosion.

Des mélanges chauds de poussières de ponçage contenant des résidus de vernis, de polyuréthane ou de produits chimiques dans le sac à poussières en papier ou dans le filtre de

l'aspirateur peuvent s'enflammer dans des conditions infavorables tels que projection d'étincelles lors du ponçage de métaux, soleil direct permanent ou température ambiante élevée. Pour prévenir ces conditions :

- Evitez la surchauffe des matériaux usinés et de l'outil électrique.
- Videz le bac de récupération des poussières à temps.
- Respectez les indications de travail du fabricant du matériau.
- Respectez les règlements en vigueur dans votre pays spécifiques aux matériaux à traiter.

Vibrations mains-bras

⚠ AVERTISSEMENT Des vibrations mains-bras sont générées lors du travail avec cet outil électrique. Celles-ci peuvent entraîner des effets néfastes sur la santé.

⚠ AVERTISSEMENT La valeur réelle des vibrations lors de l'utilisation de l'outil électrique peut dévier des valeurs indiquées, en fonction de l'utilisation de l'outil électrique.

⚠ AVERTISSEMENT Pour protéger l'opérateur, des mesures de sécurité doivent être déterminées sur la base de la sollicitation vibratoire estimée pendant l'utilisation effective.

L'amplitude d'oscillation indiquée dans ces instructions d'utilisation a été mesurée conformément à la norme EN 60745 et peut être utilisée pour une comparaison d'outils électriques. Elle est également appropriée pour une estimation préliminaire de la sollicitation vibratoire.

L'amplitude d'oscillation représente les utilisations principales de l'outil électrique. Si l'outil électrique est cependant utilisé pour d'autres applications, avec d'autres outils de travail ou avec

un entretien non approprié, l'amplitude d'oscillation peut être différente. Ceci peut augmenter considérablement la sollicitation vibratoire pendant toute la durée du travail.

Pour une estimation précise de la sollicitation vibratoire, il est recommandé de prendre aussi en considération les espaces de temps pendant lesquels l'appareil est éteint ou en fonctionnement, mais pas vraiment utilisé. Ceci peut réduire considérablement la sollicitation vibratoire pendant toute la durée du travail.

Déterminez des mesures de protection supplémentaires pour protéger l'utilisateur des effets de vibrations, tels que par exemple : Entretien de l'outil électrique et des outils de travail, maintenir les mains chaudes, organisation des opérations de travail.

Les valeurs d'émission de vibration sont indiquées pour les opérations de lustrage avec peau de mouton et le ponçage avec feuille abrasive. D'autres utilisations, tels que le lustrage avec autres produits de polissage que la peau de mouton, peuvent avoir d'autres valeurs d'émission de vibration comme conséquence.

Valeurs d'émission pour bruit et vibration (Indication à deux chiffres suivant ISO 4871)**Emission acoustique**

	WP014-15E	WP014-25E
Mesure réelle (A) du niveau d'intensité acoustique pondéré L_{wA} (re 1 pW), en décibel	95	95
Incertitude K_{wA} , en décibel	3	3
Mesure réelle (A) du niveau de pression acoustique sur le lieu de travail L_{pA} (re 20 μ Pa), en décibel	84	84
Incertitude K_{pA} , en décibel	3	3
Mesure réelle (C) du niveau max. de pression acoustique sur le lieu de travail L_{pCpeak} , en décibel	100	100
Incertitude K_{pCpeak} , en décibel	3	3

Vibration

Valeur de vibration moyenne pour le polissage $a_{h,P}$, en m/s^2	2,5	3,5
ft/s^2	8,2	11,5
Valeur de vibration moyenne pour le ponçage avec feuille abrasive $a_{h,DS}$, en m/s^2	3,5	3,5
ft/s^2	11,5	11,5
Incertitude K, en m/s^2	1,5	1,5
ft/s^2	4,5	4,5

REMARQUE : La somme de la valeur d'émission mesurée et de l'incertitude constitue la limite supérieure des valeurs qui peuvent apparaître pendant des mesurages.

 Porter une protection acoustique !

Valeurs de mesure mesurées conformément à la norme correspondante du produit.

Câble de rallonge

⚠ AVERTISSEMENT Au cas où une rallonge serait nécessaire, la longueur ainsi que la section du conducteur de celle-ci doivent être appropriées à l'utilisation afin d'éviter une baisse de tension dans la rallonge, une perte de puissance et une surchauffe de l'outil électrique. Sinon la rallonge et l'outil électrique présentent des dangers électriques et l'efficacité du travail est entravée.

Dimensions recommandées de la rallonge pour une tension de service de 120 V – courant alternatif monophasé lors d'un branchement d'un outil électrique WP014-15E/WP014-25E:

Dimension du conducteur en format américain, A.W.G.		Section du conducteur en mm^2	
14	12	2,5	4,0
Longueur du câble en pieds		Longueur du câble en m	
100	150	30	60

Conception de l'outil électrique.













polisseuse manuelle pour le polissage à sec, le ponçage et le brossage de surfaces en métal, pierre, matière plastique, bois, composites, peintures/vernis, mastic et matériaux similaires à l'abri des intempéries avec les outils de travail et les accessoires autorisés par FEIN.





Fonctionnement de l'outil électrique avec des générateurs de courant.

❗ Cet appareil est également conçu pour fonctionner sur des générateurs de courant alternatif d'une puissance suffisante correspondant à la norme ISO 8528, classe de modèle G2. Cette norme n'est pas respectée si le facteur de distorsion harmonique dépasse 10%. En cas de doute, s'informer sur le générateur utilisé.

⚠ AVERTISSEMENT Il est interdit de faire fonctionner l'outil électrique sur des générateurs de courant dont la tension à vide dépasse la valeur de tension indiquée sur la plaque signalétique de l'outil électrique.

Symboles.

Symbol	Explication
	Action de l'utilisateur
	Signal d'interdiction général. Cette action est interdite !
	Ne pas toucher les éléments en rotation de l'outil électrique.
	Suivre les indications données dans le texte ou la représentation graphique ci-contre !
	Lire impérativement les documents ci-joints tels que la notice d'utilisation et les instructions générales de sécurité.
	Avant d'effectuer ce travail, retirer la fiche de la prise de courant. Sinon, il y a des risques de blessures dus à un démarrage non intentionné de l'outil électrique.
	Lors des travaux, porter une protection oculaire.
	Lors des travaux, porter une protection acoustique.
	Lors des travaux, utiliser un protège-main.
	Une surface qui peut être touchée est très chaude et donc dangereuse.
	Ce symbole confirme la certification de ce produit aux Etats-Unis et au Canada.
	Cette indication met en garde contre une situation dangereuse imminente. Une mauvaise manipulation peut entraîner de graves blessures ou la mort.

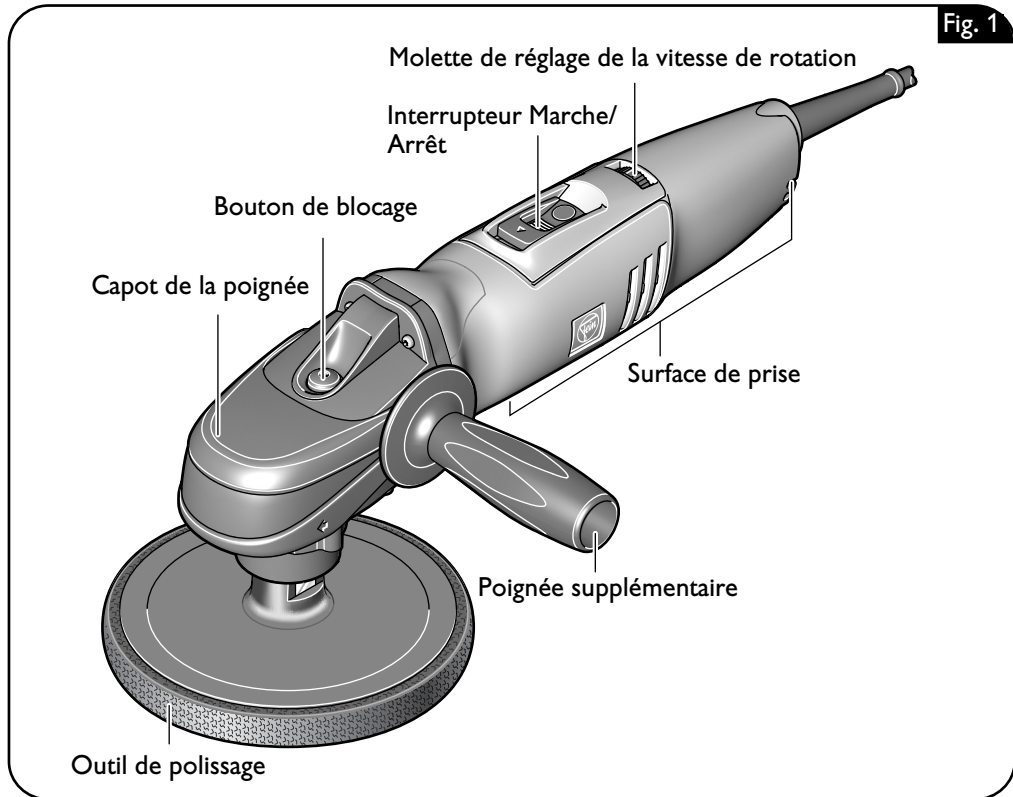
Symbol	Explication
 AVERTISSEMENT	Cette indication indique une situation potentiellement dangereuse qui peut entraîner de graves blessures ou la mort.
 ATTENTION	Cette indication met en garde contre une situation potentiellement dangereuse qui peut entraîner des blessures.
	Trier les outils électriques ainsi que les autres produits électrotechniques et électriques et les rapporter à un centre de recyclage respectant les directives concernant la protection de l'environnement.
	Produit avec double isolation ou isolation renforcée
~ ou a. c.	Courant alternatif
1 ~	Courant alternatif, monophasé
∅	Diamètre d'un élément rond

Signe	Unité nationale	Explication
n	rpm	Vitesse de référence
P	W	Unité de mesure pour la puissance électrique
	°	Unité de mesure pour la largeur d'angle
U	V	Unité de mesure pour la tension électrique
f	Hz	Unité de mesure pour la fréquence
I	A	Unité de mesure pour l'intensité du courant électrique
m	kg, lbs	Unité de mesure pour la masse
l	ft, in	Unité de mesure pour longueur, largeur, hauteur ou profondeur
	m, s, kg, A, mm, V, W, Hz, N, °C, dB, min, m/s ²	Unités de base et unités dérivées du système international SI .

Description technique et spécification.

⚠ AVERTISSEMENT Avant de commencer les travaux de montage ou avant de changer les outils de travail et les accessoires, retirer la fiche de secteur. Cette mesure de sécurité préventive exclut un danger de blessure causé par un démarrage non intentionné de l'outil électrique.

Il se peut que seule une partie des accessoires décrits ou représentés dans cette notice d'utilisation soit fournie avec l'outil électrique.



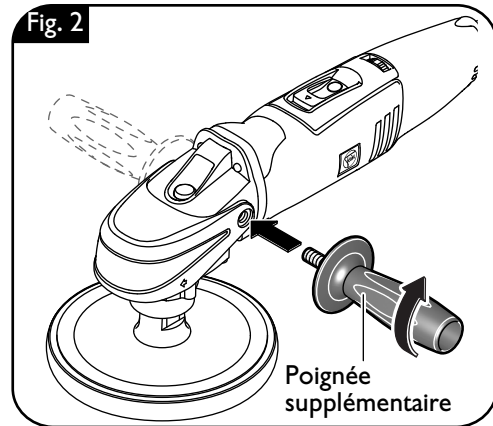
Type	WP014-15E	WP014-25E
Référence	7 221 48	7 221 49
Puissance absorbée	1200 W	1200 W
Puissance utile	750 W	750 W
Type de raccord au réseau	1 ~	1 ~
Vitesse de référence	500–1500 rpm	900–2500 rpm
diamètre max. plateau de polissage	9 in 230 mm	9 in 230 mm
Filetage de la flasque de serrage	5/8 in–11 UNC	5/8 in–11 UNC
Longueur de la broche filetée	3/4 in 20 mm	3/4 in 20 mm
Poids suivant EPTA-Procédure 01/2003	5,5 lbs (2,5 kg)	5,5 lbs (2,5 kg)
Classe de protection	II □	II □

Indications de montage.

⚠ AVERTISSEMENT Avant de commencer les travaux de montage ou avant de changer les outils de travail et les accessoires, retirer la fiche de secteur. Cette mesure de sécurité préventive exclut un danger de blessure causé par un démarrage non intentionné de l'outil électrique.

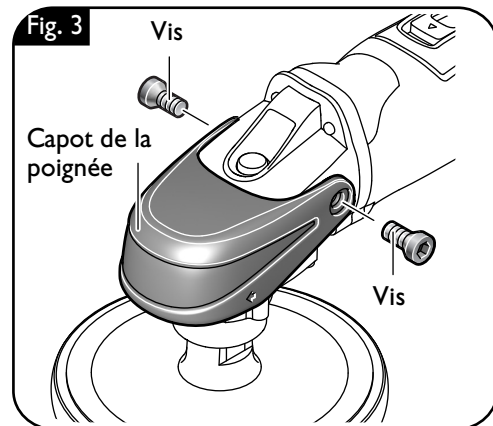
Montage de la poignée supplémentaire (Figure 2).

- En fonction du mode de travail, serrer la poignée supplémentaire à droite ou à gauche de l'outil électrique.



Montage du capot de la poignée (Figure 3).

- Monter le capot de la poignée sur la tête d'engrenage et le visser à l'aide des 2 vis.

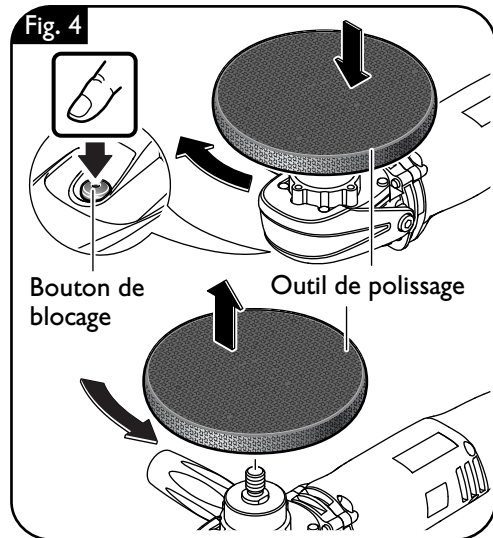


Changement d'outil.

⚠ AVERTISSEMENT Avant de commencer les travaux de montage ou avant de changer les outils de travail et les accessoires, retirer la fiche de secteur. Cette mesure de sécurité préventive exclut un danger de blessure causé par un démarrage non intentionné de l'outil électrique.

Montage de l'outil de polissage (Figure 4).

- ❗ N'appuyer sur le bouton de blocage qu'à l'arrêt total du moteur.
- Appuyer sur le bouton de blocage et le maintenir dans cette position.
- ⚠ ➤ Remplacer l'outil de polissage usé ou monter un outil de polissage neuf.
- Appuyer sur le bouton de blocage et le maintenir dans cette position. Visser fermement l'outil de polissage.



Indications pour le travail.

⚠ AVERTISSEMENT Avant de commencer les travaux de montage ou avant de changer les outils de travail et les accessoires, retirer la fiche de secteur. Cette mesure de sécurité préventive exclut un danger de blessure causé par un démarrage non intentionné de l'outil électrique.

- ❗ N'utiliser que des outils de travail FEIN conçus et autorisés pour l'utilisation correspondante.

Mise en fonctionnement/Arrêt (Figure 5).

⚠ AVERTISSEMENT Vérifier d'abord que le câble de raccordement et la fiche sont en parfait état.

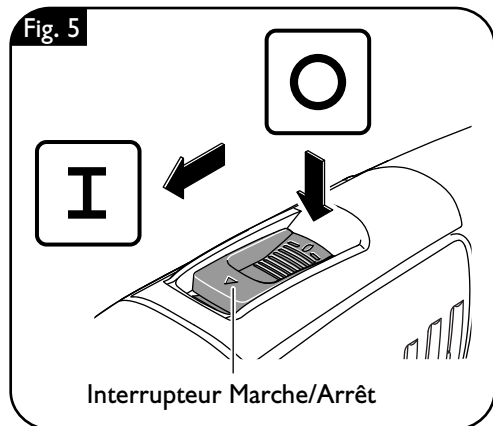
⚠ ATTENTION Toujours bien tenir l'outil électroportatif. Vous risquez sinon de perdre le contrôle de l'outil électrique.

Mise en fonctionnement :

- Pousser vers l'avant l'interrupteur (I).

Arrêt :

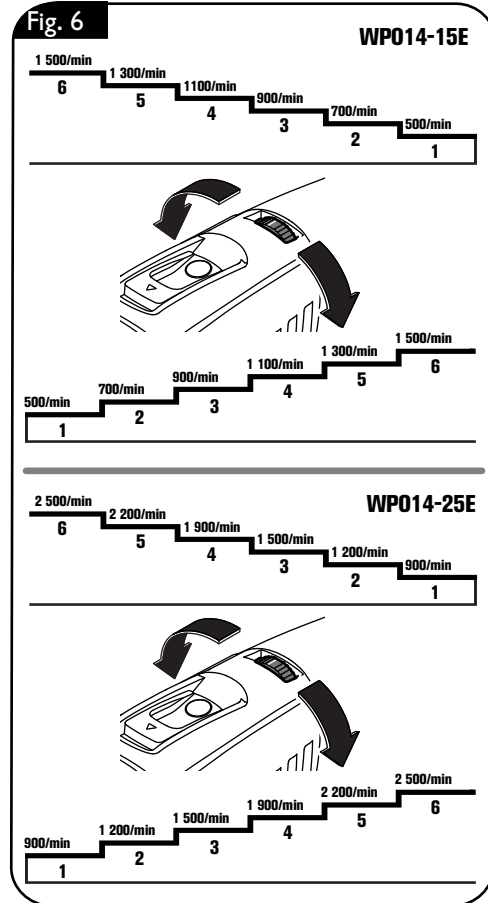
- Poussez l'interrupteur (0) vers le bas.



Réglage de la vitesse de rotation (Figure 6).

Il est possible de régler en continue la vitesse de rotation dans la plage indiquée sur la figure suivante.

- Positionnez la molette de réglage entre « 1 » pour la vitesse de rotation la plus basse et « 6 » pour la vitesse la plus élevée.



Bloquer la pièce à travailler.

! **Bloquer suffisamment la pièce à travailler.** Une pièce à travailler qui n'est pas suffisamment bloquée peut faire par ex. que la meule se coince, que la pièce à travailler tombe et que d'autres incidents dangereux se produisent.

Entretien.

⚠ AVERTISSEMENT Avant de commencer les travaux de montage ou avant de changer les outils de travail et les accessoires, retirer la fiche de secteur. Cette mesure de sécurité préventive exclut un danger de blessure causé par un démarrage non intentionné de l'outil électrique.

Service après-vente

⚠ AVERTISSEMENT Ne faire effectuer les travaux d'entretien que par des personnes qualifiées. Les câbles et éléments mal montés peuvent présenter des risques graves. Ne faire effectuer le service d'entretien nécessaire que par une station de service après-vente FEIN.

Nettoyage

⚠ AVERTISSEMENT Afin d'éviter des accidents, débranchez l'outil électrique de l'alimentation en courant avant d'effectuer un nettoyage ou des travaux d'entretien ou de maintenance.

⚠ AVERTISSEMENT S'il y a de la poussière conductrice dans l'air lors de l'utilisation de l'appareil, p. ex. lors du traitement de métaux, cette poussière peut se poser à l'intérieur de l'outil électrique. La double isolation de l'outil électrique peut ainsi être endommagée. Soufflez alors régulièrement de l'extérieur de l'air comprimé sec exempt d'huile dans l'intérieur de l'outil électrique à travers les ouïes de ventilation ; utilisez toujours une protection oculaire. Pour une protection supplémentaire, placez un dispositif à courant différentiel résiduel (RCD) en amont.

❗ N'essayez pas de nettoyer les orifices de ventilation à l'aide d'objets métalliques pointus ; utilisez des outils non-métalliques.

❗ N'utilisez pas de détergents ou de solvants qui peuvent endommager les parties en matière plastique. Dont : l'essence, le tétrachlorure de carbone, solvants chlorés, l'ammoniaque et produits de nettoyage domestiques contenant de l'ammoniaque.

❗ Si un câble d'alimentation de l'outil électrique est endommagé, il doit être remplacé par une personne qualifiée par un câble d'alimentation spécialement préparé qui est disponible auprès du service après-vente de FEIN.

Si nécessaire, vous pouvez vous-même remplacer les éléments suivants : Outils de travail, poignée supplémentaire, capot de la poignée, mandrins de serrage, flasques.

Garantie.

Pour le produit, la garantie vaut conformément à la réglementation légale en vigueur dans le pays où le produit est mis sur le marché.

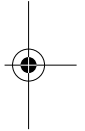
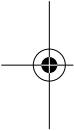
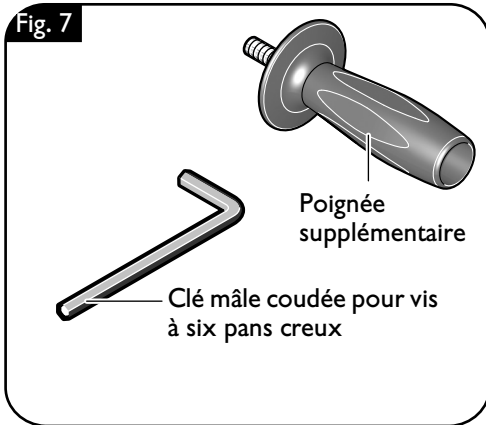
Outre les obligations de garantie légale, les appareils FEIN sont garantis conformément à notre déclaration de garantie de fabricant. Pour plus de précisions, veuillez vous adresser à votre revendeur spécialisé, à votre représentant FEIN dans votre pays ou auprès du service après-vente FEIN.

Protection de l'environnement, élimination.

Rapporter les emballages, les outils électriques hors d'usage et les accessoires à un centre de recyclage respectant les directives concernant la protection de l'environnement. Pour plus de précisions, veuillez vous adresser à votre revendeur spécialisé.



Accessoires fournis (Figure 7).





Choix d'accessoires (voir figures 8 – 11).

L'accessoire doit être approprié au type d'outil électrique.

- A Plaque d'appui pour peau de mouton avec entraînement par cordon
- B Plaque de ponçage avec velcro, feuilles abrasives adhésives, toison adhésive, éponges, peau de mouton
- C Brosse boisseau
- D Brosse métallique
- E Plateau de ponçage
- F Capot d'aspiration
- G Disque toile de coton écru ou en flanelle
- H Plateau à lamelles
- I Disque de polissage
- J Toison de polissage, bagues de polissage
- K Rouleau de ponçage élastique, rouleau à lamelles en toison
- L Rouleau de bande abrasive
- M Rouleau d'étirage pour manchons abrasifs

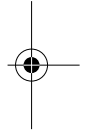




Fig. 8

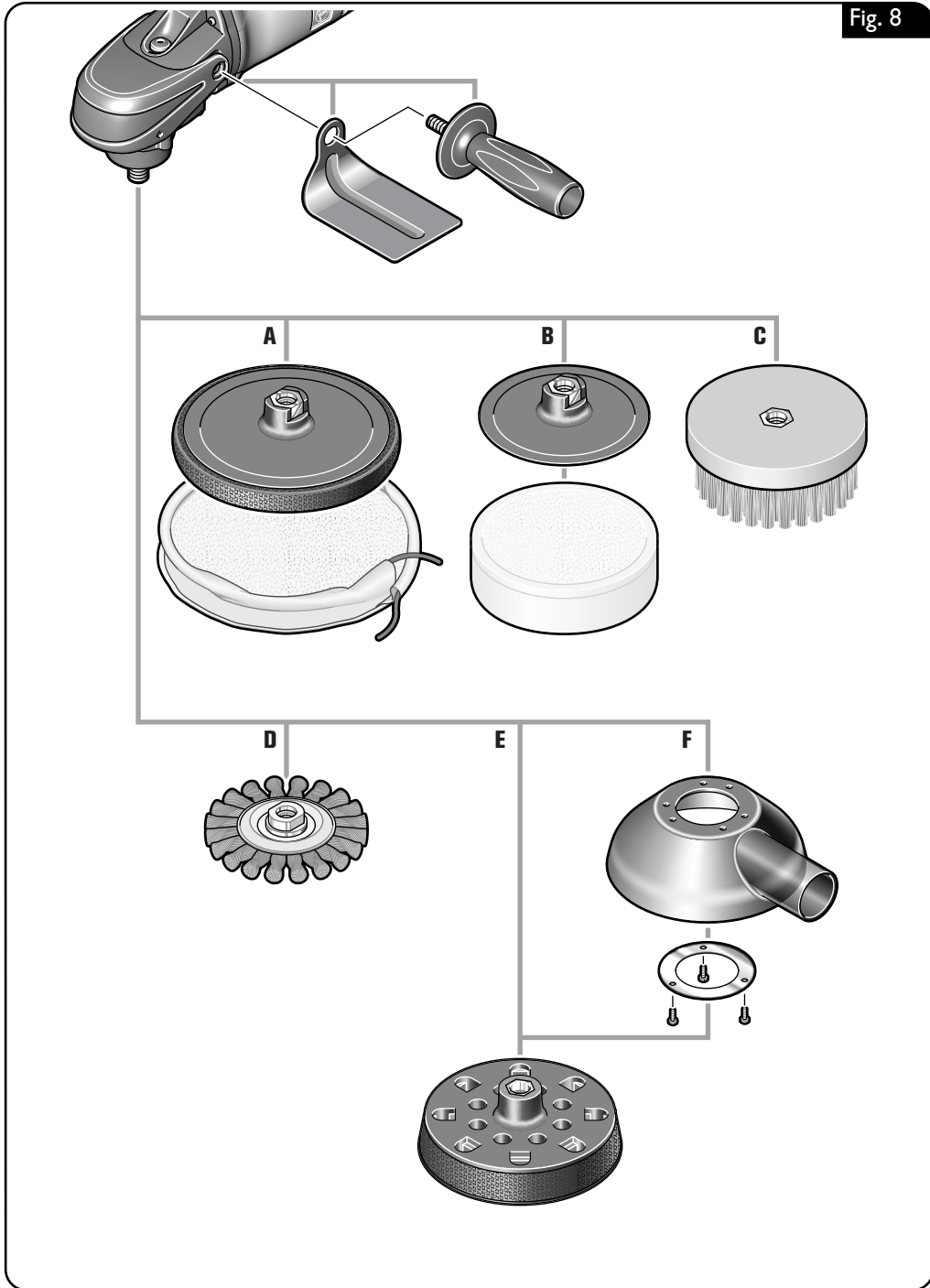
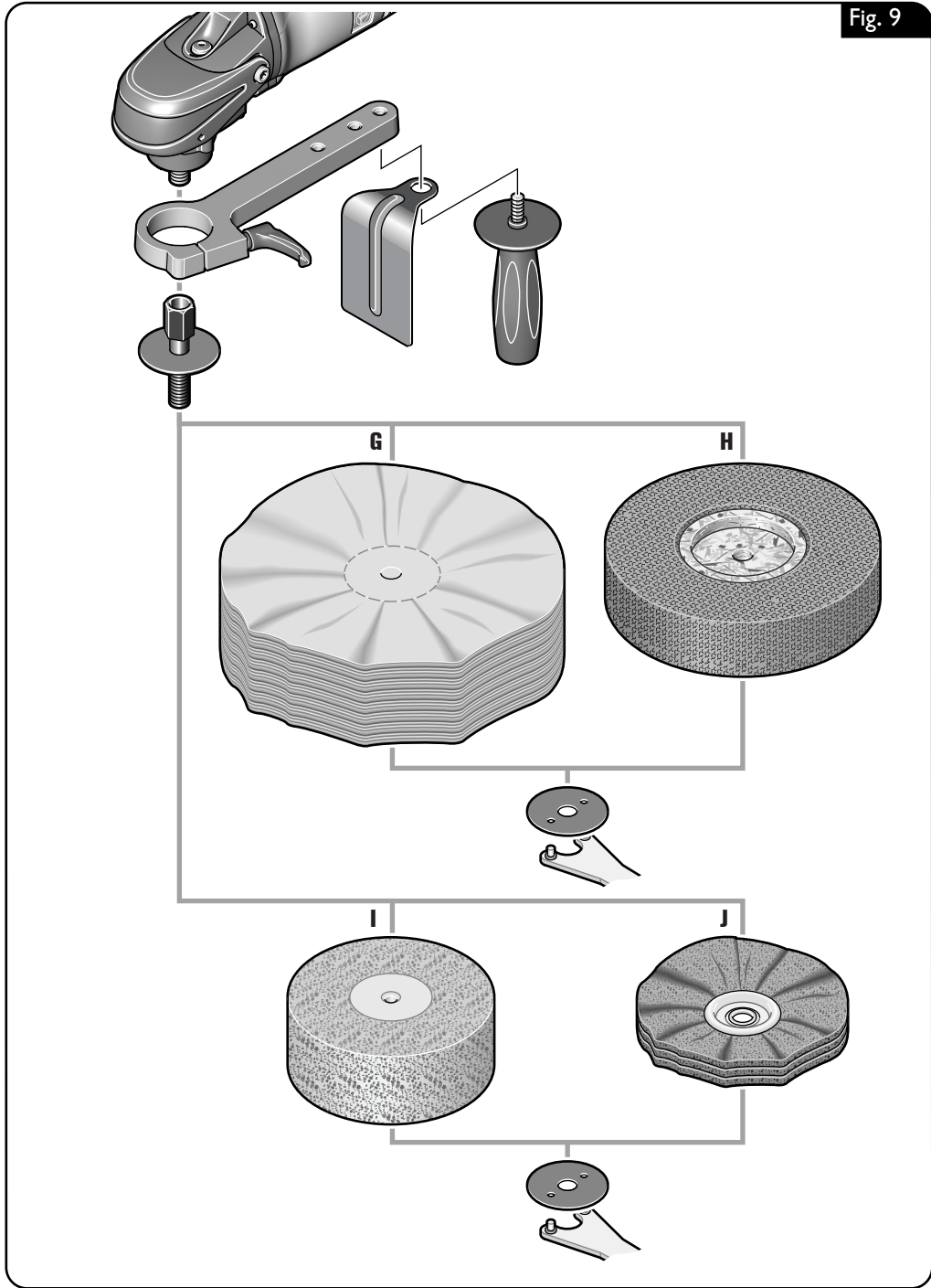
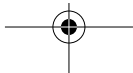
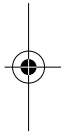
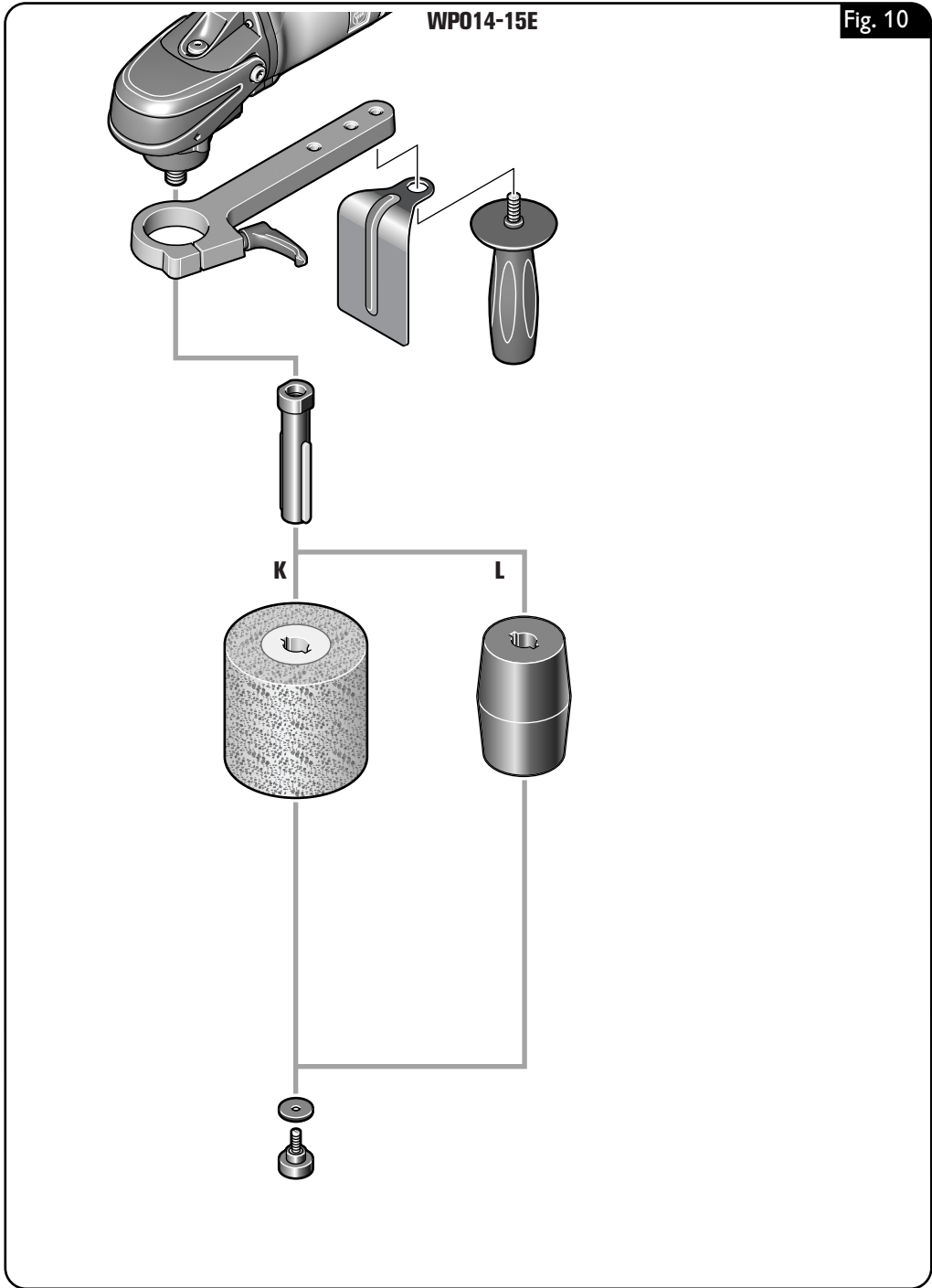




Fig. 9

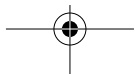
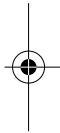
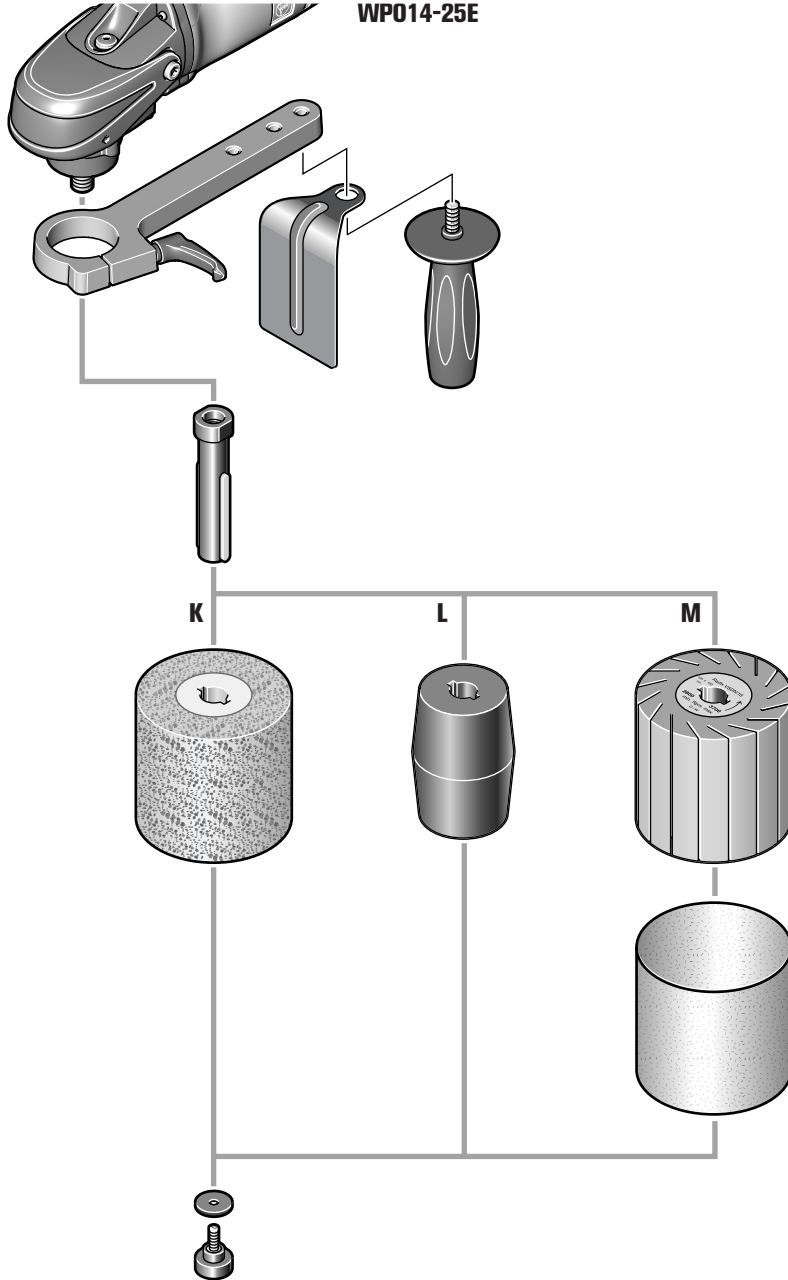






WP014-25E

Fig. 11



Para su seguridad.

⚠ ADVERTENCIA Lea íntegramente estas advertencias de peligro e instrucciones. En caso de no atenerse a las advertencias de peligro e instrucciones siguientes, ello puede ocasionar una descarga eléctrica, un incendio y/o lesión grave. **Guardar todas las advertencias de peligro e instrucciones para futuras consultas.**

👤 No utilice esta herramienta eléctrica sin haber leído antes a fondo y haber entendido íntegramente estas instrucciones de uso, inclusive las figuras, especificaciones, reglas de seguridad y las indicaciones de PELIGRO, ADVERTENCIA y ATENCIÓN.

Solamente use esta herramienta eléctrica para realizar los trabajos que FEIN ha previsto para la misma. Únicamente utilice las herramientas y accesorios de aplicación autorizados por FEIN. Observe también las disposiciones nacionales de protección laboral pertinentes.

En caso de no atenerse a las instrucciones de seguridad mencionadas en la documentación previamente citada, ello puede provocar una electrocución, incendio y/o lesión grave.

Este manual de instrucción debe mantenerse para futuro uso, junto con la herramienta eléctrica y entregarlo al prestar o vender la herramienta.

GUARDAR ESTAS INSTRUCCIONES EN UN LUGAR SEGURO.

Instrucciones generales de seguridad.

1) Seguridad en el puesto de trabajo

- Mantenga limpio y bien iluminado su puesto de trabajo.** El desorden y una iluminación deficiente en las áreas de trabajo pueden provocar accidentes.
- No utilice la herramienta eléctrica en un entorno con peligro de explosión, en el que se encuentren combustibles líquidos, gases o material en polvo.** Las herramientas eléctricas producen chispas que pueden llegar a inflamar los materiales en polvo o vapores.

- Mantenga alejados a los niños y otras personas de su puesto de trabajo al emplear la herramienta eléctrica.** Una distracción le puede hacer perder el control sobre el aparato.

2) Seguridad eléctrica

- El enchufe del aparato debe corresponder a la toma de corriente utilizada. No es admisible modificar el enchufe en forma alguna. No emplear adaptadores en aparatos dotados con una toma de tierra.** Los enchufes sin modificar adecuados a las respectivas tomas de corriente reducen el riesgo de una descarga eléctrica.
- Evite que su cuerpo toque partes conectadas a tierra como tuberías, radiadores, cocinas y refrigeradores.** El riesgo a quedar expuesto a una sacudida eléctrica es mayor si su cuerpo tiene contacto con tierra.
- No exponga las herramientas eléctricas a la lluvia y evite que penetren líquidos en su interior.** Existe el peligro de recibir una descarga eléctrica si penetran ciertos líquidos en la herramienta eléctrica.
- No utilice el cable de red para transportar o colgar el aparato, ni tire de él para sacar el enchufe de la toma de corriente. Mantenga el cable de red alejado del calor, aceite, esquinas cortantes o piezas móviles.** Los cables de red dañados o enredados pueden provocar una descarga eléctrica.
- Al trabajar con la herramienta eléctrica en la intemperie utilice solamente cables de prolongación homologados para su uso en exteriores.** La utilización de un cable de prolongación adecuado para su uso en exteriores reduce el riesgo de una descarga eléctrica.

3) Seguridad de personas

- Esté atento a lo que hace y emplee la herramienta eléctrica con prudencia. No utilice la herramienta eléctrica si estuviese cansado, ni tampoco después de haber consumido alcohol, drogas o medicamentos.** El no estar atento durante el uso de una herramienta eléctrica puede provocarle serias lesiones.

- b) **Utilice un equipo de protección y en todo caso unas gafas de protección.** El riesgo a lesionarse se reduce considerablemente si, dependiendo del tipo y la aplicación de la herramienta eléctrica empleada, se utiliza un equipo de protección adecuado como una mascarilla antipolvo, zapatos de seguridad con suela antideslizante, casco, o protectores auditivos.
- c) **Evite una puesta en marcha fortuita del aparato. Cerciórese de que el aparato esté apagado antes de conectarlo a la toma de corriente.** Transportar el aparato sujetándolo por el interruptor de encendido/apagado, o si conecta el enchufe en la toma de corriente con el aparato encendido, puede dar lugar a un accidente.
- d) **Retire las herramientas de ajuste o llaves fijas antes de conectar la herramienta eléctrica.** Una herramienta o llave colocada en una pieza rotante puede producir lesiones al ponerse a funcionar.
- e) **Sea precavido. Trabaje sobre una base firme y mantenga el equilibrio en todo momento.** Ello le permitirá controlar mejor la herramienta eléctrica en caso de presentarse una situación inesperada.
- f) **Lleve puesta una vestimenta de trabajo adecuada. No utilice vestimenta amplia ni joyas. Mantenga su pelo, vestimenta y guantes alejados de las piezas móviles.** La vestimenta suelta, las joyas y el pelo largo se pueden enganchar con las piezas en movimiento.
- g) **Siempre que sea posible utilizar unos equipos de aspiración o captación de polvo, asegúrese de que éstos estén apropiadamente conectados y que sean utilizados correctamente.** El empleo de estos equipos reduce los riesgos derivados del polvo.
- 4) Trato y uso cuidadoso de herramientas eléctricas**
- a) **No sobrecargue el aparato. Use la herramienta prevista para el trabajo a realizar.** Con la herramienta adecuada podrá trabajar mejor y más seguro dentro del margen de potencia indicado.
- b) **No utilice herramientas con un interruptor defectuoso.** Las herramientas que no se puedan encender o apagar son peligrosas y deben hacerse reparar.
- c) **Saque el enchufe de la red antes de realizar un ajuste en el aparato, cambiar de accesorio o al guardar el aparato.** Esta medida preventiva reduce el riesgo a encender accidentalmente el aparato.
- d) **Guarde las herramientas fuera del alcance de los niños y de las personas que no estén familiarizadas con su uso.** Las herramientas utilizadas por personas inexpertas son peligrosas.
- e) **Cuide sus herramientas eléctricas con esmero. Controle si funcionan correctamente, sin atascarse, las partes móviles del aparato, y si existen partes rotas o deterioradas que pudieran afectar al funcionamiento de la herramienta. Si la herramienta eléctrica estuviese defectuosa haga repararla antes de volver a utilizarla.** Muchos de los accidentes se deben a aparatos con un mantenimiento deficiente.
- f) **Mantenga las herramientas cortantes limpias y afiladas.** Las herramientas cortantes mantenidas correctamente se dejan guiar y controlar mejor.
- g) **Utilice herramientas eléctricas, accesorios, útiles, etc. de acuerdo a estas instrucciones y en la manera indicada específicamente para este aparato. Considere en ello las condiciones de trabajo y la tarea a realizar.** El uso de herramientas eléctricas para trabajos diferentes de aquellos para los que han sido concebidas puede resultar peligroso.
- 5) Servicio**
- a) **Únicamente haga reparar su herramienta eléctrica por un profesional, empleando exclusivamente piezas de repuesto originales.** Solamente así se mantiene la seguridad de la herramienta eléctrica.



Instrucciones de seguridad especiales.

Instrucciones de seguridad comunes para el amolado, lijado, pulido, tronzado y el trabajo con cepillos de alambre

Esta herramienta eléctrica ha sido concebida para lijar, pulir y trabajar con cepillos de alambre. Observe todas las indicaciones de seguridad, instrucciones, ilustraciones y datos que se suministran con el aparato. Si no se tienen en cuenta las recomendaciones de seguridad descritas, puede electrocutarse, producirse un incendio y/o sufrir graves lesiones.

Esta herramienta eléctrica no es apropiada para amolar ni tronzar. La utilización de la herramienta eléctrica en trabajos para los que no ha sido prevista puede provocar un accidente.

No emplee accesorios diferentes de aquellos que el fabricante haya previsto o recomendado especialmente para esta herramienta eléctrica. El mero hecho de que sea acoplable un accesorio a su herramienta eléctrica no implica que su utilización resulte segura.

Las revoluciones admisibles del útil deberán ser como mínimo iguales a las revoluciones máximas indicadas en la herramienta eléctrica. Aquellos accesorios que giren a unas revoluciones mayores a las admisibles pueden llegar a romperse y salir despedidos.

El diámetro exterior y el grosor del útil deberán corresponder con las medidas indicadas para su herramienta eléctrica. Los útiles de dimensiones incorrectas no pueden protegerse ni controlarse con suficiente seguridad.

Los orificios de los discos amoladores, bridas, platos lijadores u otros útiles deberán alojarse exactamente sobre el husillo de su herramienta eléctrica. Los útiles que no ajusten correctamente sobre el husillo de la herramienta eléctrica, al girar descentrados, generan unas vibraciones excesivas y pueden hacerle perder el control sobre el aparato.

No use útiles dañados. Antes de cada uso inspeccione el estado de los útiles con el fin de detectar, p. ej., si están desportillados o fisurados los útiles de amolar, si está agrietado o muy desgastado el plato lijador, o si las púas de los cepillos de alambre están flojas o rotas. Si se le cae la herramienta eléctrica o el útil, inspeccione si han sufrido algún daño o monte otro útil en correctas condiciones. Una vez controlado y montado el útil sitúese Vd. y las personas circundantes fuera del plano de rotación del útil y deje funcionar la herramienta eléctrica en vacío, a las revoluciones máximas, durante un minuto. Por lo regular, aquellos útiles que estén dañados suelen romperse al realizar esta comprobación.

Utilice un equipo de protección personal. Dependiendo del trabajo a realizar use una careta, una protección para los ojos, o unas gafas de protección. Si procede, emplee una mascarilla antipolvo, protectores auditivos, guantes de protección o un mandil especial adecuado para protegerle de los pequeños fragmentos que pudieran salir proyectados al desprenderse del útil o pieza. Las gafas de protección deberán ser indicadas para protegerle de los fragmentos que pudieran salir despedidos al trabajar. La mascarilla antipolvo o respiratoria deberá ser apta para filtrar las partículas producidas al trabajar. La exposición prolongada al ruido puede provocar sordera.

Cuide que las personas en las inmediaciones se mantengan a suficiente distancia de la zona de trabajo. Toda persona que acceda a la zona de trabajo deberá utilizar un equipo de protección personal. Podrían ser lesionadas, incluso fuera del área de trabajo inmediato, al salir proyectados fragmentos de la pieza de trabajo o del útil.

Únicamente sujete el aparato por las empuñaduras aisladas al realizar trabajos en los que el útil pueda tocar conductores eléctricos ocultos o el propio cable del aparato. El contacto con conductores bajo tensión puede hacer que las partes metálicas del aparato le provoquen una descarga eléctrica.

Mantenga el cable de red alejado del útil en funcionamiento. En caso de que Vd. pierda el control sobre la herramienta eléctrica puede llegar a cortarse o enredarse el cable de red con el útil y lesionarle su mano o brazo.

Jamás deposite la herramienta eléctrica antes de que el útil se haya detenido por completo. El útil en funcionamiento puede llegar a tocar la base de apoyo y hacerle perder el control sobre la herramienta eléctrica.

No deje funcionar la herramienta eléctrica mientras la transporta. El útil en funcionamiento podría lesionarle al engancharse accidentalmente con su vestimenta.

Limpie periódicamente las rejillas de refrigeración de su herramienta eléctrica. El ventilador del motor aspira polvo hacia el interior de la carcasa, por lo que, en caso de una acumulación fuerte de polvo metálico, ello puede provocar una descarga eléctrica.

No utilice la herramienta eléctrica cerca de materiales combustibles. Las chispas producidas al trabajar pueden llegar a incendiar estos materiales.

No emplee útiles que requieran ser refrigerados con líquidos. La aplicación de agua u otros refrigerantes líquidos puede comportar una descarga eléctrica.

Causas del rechazo y advertencias al respecto

El rechazo es una reacción brusca que se produce al atascarse o engancharse el útil, como un disco de amolar, plato lijador, cepillo, etc. Al atascarse o engancharse el útil en funcionamiento, éste es frenado bruscamente. Ello puede hacerle perder el control sobre la herramienta eléctrica y hacer que ésta salga impulsada en dirección opuesta al sentido de giro que tenía el útil.

En el caso, p. ej., de que un disco amolador se atasque o bloquee en la pieza de trabajo, puede suceder que el canto del útil que penetra en el material se enganche, provocando la rotura del útil o el rechazo del aparato. Según el sentido de giro y la posición del útil en el momento de bloquearse puede que éste resulte despedido hacia, o en sentido opuesto

al usuario. En estos casos puede suceder que el útil incluso llegue a romperse.

El rechazo es ocasionado por la aplicación o manejo incorrecto de la herramienta eléctrica. Es posible evitarlo ateniéndose a las medidas preventivas que a continuación se detallan.

Sujete con firmeza la herramienta eléctrica y mantenga su cuerpo y brazos en una posición propicia para resistir las fuerzas de reacción. Si forma parte del aparato, utilice siempre la empuñadura adicional para poder soportar mejor las fuerzas del rechazo, además de los pares de reacción que se presentan en la puesta en marcha. El usuario puede controlar las fuerzas del rechazo y de reacción si toma unas medidas preventivas oportunas.

Jamás aproxime su mano al útil en funcionamiento. En caso de un rechazo, el útil podría lesionarle la mano.

No se sitúe dentro del área hacia el que se movería la herramienta eléctrica al ser rechazada. Al resultar rechazada, la herramienta eléctrica saldrá despedida desde el punto de bloqueo en dirección opuesta al sentido de giro del útil.

Tenga especial precaución al trabajar esquinas, cantos afilados, etc. Evite que el útil de amolar rebote contra la pieza de trabajo o que se atasque. En las esquinas, cantos afilados, o al rebotar, el útil en funcionamiento tiende a atascarse. Ello puede hacerle perder el control o causar un rechazo del útil.

No utilice hojas de sierra para madera ni otros útiles dentados. Estos útiles son propensos al rechazo y pueden hacerle perder el control sobre la herramienta eléctrica.

Instrucciones de seguridad específicas para trabajos con hojas lijadoras

No use hojas lijadoras más grandes que el soporte, ateniéndose para ello a las dimensiones que el fabricante recomienda. Las hojas lijadoras de un diámetro mayor que el plato lijador pueden provocar un accidente, fisurarse, o provocar un rechazo.

Instrucciones de seguridad específicas para el pulido

Evite que queden partes sueltas en la caperuza para pulir, especialmente el cordón de sujeción. Recoja o corte los cabos del cordón de sujeción.

Los cabos sueltos del cordón pueden enredarse con sus dedos o la pieza de trabajo.

Instrucciones de seguridad específicas para el trabajo con cepillos de alambre

Considere que las púas de los cepillos de alambre pueden desprenderse también durante un uso normal. No fuerce las púas ejerciendo una fuerza de aplicación excesiva. Las púas desprendidas pueden traspasar muy fácilmente tela delgada y/o la piel.

En caso de recomendarse el uso de una caperuza protectora, evite que el cepillo de alambre alcance a rozar contra la caperuza protectora.

Los cepillos de plato y de vaso pueden aumentar su diámetro por efecto de la presión de aplicación y de la fuerza centrífuga.

Instrucciones de seguridad adicionales

Cerciórese de que los útiles vayan montados según instrucciones del fabricante. Los útiles montados deberán girar sin rozar en ningún lado. Los útiles incorrectamente montados pueden aflojarse durante el trabajo y salir despedidos.

En los útiles dotados con una rosca de fijación, observe que la longitud de la misma sea suficiente para que pueda penetrar hasta el fondo el husillo de la herramienta eléctrica. El útil deberá tener la misma rosca de fijación que el husillo. Los útiles incorrectamente montados pueden aflojarse durante el funcionamiento y causar accidentes.

No trabaje materiales que contengan amianto. El amianto es cancerígeno.

Preste atención a los conductores eléctricos y a las tuberías de agua y gas ocultas. Antes de comenzar a trabajar explore la zona de trabajo, p. ej., con un detector de metales.

Utilice un equipo de aspiración estacionario, limpie con frecuencia las rejillas de refrigeración, y conecte la herramienta eléctrica a tra-

vés de un interruptor diferencial (ICFT). En caso de trabajar metales bajo unas condiciones extremas puede llegar a depositarse polvo conductor de corriente en el interior de la herramienta eléctrica. Ello puede mermar la eficacia del aislamiento de protección de la herramienta eléctrica.

Esta herramienta eléctrica doblemente aislada está equipada con una clavija polarizada (uno de los contactos es más ancho que el otro). Esta clavija solamente puede introducirse en una posición en el enchufe correspondiente. Gire la clavija a la otra posición en caso de que ésta no entre del todo en el enchufe. Si a pesar de ello no es posible acoplar la clavija al enchufe, acuda a un electricista para que le instale un enchufe apropiado. Jamás modifique la clavija. Las herramientas doblemente aisladas no necesitan una línea de 3 hilos ni un enchufe con un contacto a tierra.

Solamente alimente la herramienta eléctrica con la tensión y frecuencia que se indica en la placa de características de la herramienta eléctrica.

Si fuese imprescindible utilizar la herramienta eléctrica en un entorno húmedo, es necesario conectarla a un tomacorriente protegido con un dispositivo de corriente residual (RCD). Para una mayor seguridad personal se recomienda utilizar unos guantes y zapatos de protección especiales de hule.

OBSERVACIÓN: Estos dispositivos de protección se conocen también bajo la denominación Interruptor con detección de falla a tierra (GFCI) o como Dispositivo de protección diferencial (ELCB).

Use unas mordazas u otros dispositivos adecuados para fijar la pieza a una base estable.

La sujeción de la pieza con la mano, o presionándola contra su cuerpo, es insegura y puede hacerle perder el control sobre el aparato.

Saque la clavija del enchufe antes de montar o cambiar los útiles y accesorios. Esta medida de seguridad preventiva evita los accidentes que pudieran presentarse en caso de una puesta en marcha involuntaria.

Utilice unos aparatos de exploración adecuados para detectar las líneas o tuberías que pudieran estar ocultas en el material a trabajar, o consulte a sus distribuidoras locales de electricidad, gas y agua. El contacto con las líneas eléctricas puede provocar un incendio o una electrocución. Al dañarse una tubería de gas puede producirse una explosión. La perforación de una tubería de agua provoca daños materiales y puede causar una electrocución.

No dirija la herramienta eléctrica contra Ud. mismo ni contra otras personas o animales.

Existe el riesgo de lesión con los útiles afilados o muy calientes.

Esta prohibido fijar rótulos o señales a la herramienta eléctrica con tornillos o remaches. Un aislamiento dañado no le protege de una electrocución. Emplee etiquetas autoadhesivas.

Siempre use la empuñadura adicional al trabajar. La empuñadura adicional permite guiar con seguridad la herramienta eléctrica.

Antes de la puesta en marcha inspeccione si están dañados el cable de red y el enchufe.

Tratamiento de materiales en polvo peligrosos

⚠ ADVERTENCIA **Al trabajar con herramientas, p. ej., al lijar, pulir, serrar o realizar otros trabajos con arranque de material, los polvos que se producen pueden ser nocivos para la salud, autoinflamables o explosivos.**

El contacto o inspiración de ciertos materiales en polvo puede provocar en el usuario, o en las personas circundantes, reacciones alérgicas y/o enfermedades respiratorias, cáncer, daños congénitos u otros trastornos reproductivos.

A continuación, indicamos algunos de estos materiales junto con los productos químicos que contienen, cuyo polvo producido al trabajarlos, puede ser nocivo para la salud:

- Amianto y materiales que contengan amianto.
- Pinturas que contengan plomo, ciertos tipos de madera como, p. ej., haya, encino y roble.
- Minerales y metales.
- Partículas de sílice de ladrillo, concreto y demás materiales que contengan mineral.
- Los solventes que contienen ciertas pinturas.
- Arsénico, cromo y otros conservadores de la madera.
- Materiales para combatir parásitos en cascos de botes o barcos.

Para que la exposición a estos materiales sea mínima:

- Utilice un equipo de aspiración apropiado para el polvo producido.
- Use equipos de protección personal como, por ejemplo, una mascarilla contra polvo con un filtro de la clase P2.
- Observe que esté bien ventilado el puesto de trabajo.

El riesgo derivado de la inspiración de material en polvo depende de la frecuencia con la que se trabajen estos materiales. Los materiales que contengan amianto solamente deberán ser procesados por especialistas.

⚠ ATENCIÓN **El polvo de madera y el de aleaciones ligeras puede autoinflamarse o provocar una explosión.**

Si en el saco filtrante o en el filtro del aspirador, el polvo caliente producido al lijar se mezcla con restos de pintura, poliuretano, u otras materias químicas, puede que ésta se autoincendie bajo condiciones desfavorables como, p. ej., el salto de chispas al lijar metales, la exposición permanente y directa al sol, o una temperatura ambiente elevada. Para prevenir esta situación:

- Evite que se sobrecalienten la pieza de trabajo y la herramienta eléctrica.
- Vacíe el depósito de polvo con suficiente antelación.
- Observe las instrucciones de elaboración del fabricante del material.
- Considere las prescripciones vigentes en su país sobre los materiales a trabajar.



Vibraciones en la mano/brazo

⚠ ADVERTENCIA Al trabajar con esta herramienta eléctrica se producen vibraciones en la mano y el brazo. Ello puede llegar a afectar su salud.

⚠ ADVERTENCIA Las vibraciones generadas durante la aplicación actual de la herramienta eléctrica puede ser diferente del valor indicado, según el modo en que sea utilizada la herramienta.

⚠ ADVERTENCIA Con el fin de proteger al usuario, es necesario fijar medidas de seguridad en base a una estimación de la exposición resultante bajo las condiciones de uso actuales.

El nivel de vibraciones indicado en estas instrucciones ha sido determinado según el procedimiento de medición fijado en la norma EN 60745 y puede servir como base de comparación con otras herramientas eléctricas. También es adecuado para estimar provisionalmente la emisión de vibraciones.

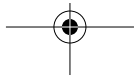
El nivel de vibraciones indicado ha sido determinado para las aplicaciones principales de la herramienta eléctrica. Por ello, el nivel de vibraciones puede ser diferente si la herramienta eléctrica se utiliza en otras aplicacio-

nes, con útiles diferentes, o si el mantenimiento de la misma fuese deficiente. Ello puede suponer un aumento drástico de la emisión de vibraciones durante el tiempo total de trabajo.

Para determinar con exactitud la emisión de las vibraciones, es necesario considerar también aquellos tiempos en los que el aparato esté desconectado, o bien, esté en funcionamiento, pero sin ser utilizado realmente. Ello puede suponer una disminución drástica de la emisión de vibraciones durante el tiempo total de trabajo.

Fije unas medidas de seguridad adicionales para proteger al usuario de los efectos por vibraciones, como por ejemplo: Mantenimiento de la herramienta eléctrica y de los útiles, conservar calientes las manos, organización de las secuencias de trabajo.

Los valores de las vibraciones emitidas indicadas corresponden a trabajos de pulido con piel de cordero y de lijado con hoja de lija. En otras aplicaciones, p. ej., al pulir con un material que no sea la piel de cordero, el nivel de vibraciones generado puede ser diferente.




Emisión de ruidos y vibraciones (Indicación de dos cifras según ISO 4871)

Emisión de ruido	WP014-15E	WP014-25E
Nivel de potencia acústica L_{WA} (re 1 pW), medido con filtro A, en decibelios	95	95
Inseguridad K_{WA} , en decibelios	3	3
Nivel de presión de sonido L_{pA} (re 20 μ Pa), medido con filtro A en el puesto de trabajo en decibelios	84	84
Inseguridad K_{pA} , en decibelios	3	3
Valor pico del nivel de presión sonora L_{pCpeak} medido con filtro C en el puesto de trabajo, en decibelios	100	100
Inseguridad K_{pCpeak} , en decibelios	3	3

Vibración

Vibraciones promedio emitidas al pulir $\alpha_{h,P}$, en m/s^2	2,5	3,5
	ft/s ²	11,5
Vibraciones promedio emitidas al lijar con hoja de lija $\alpha_{h,DS}$, en m/s^2	3,5	3,5
	ft/s ²	11,5
Inseguridad K, in m/s^2	1,5	1,5
	ft/s ²	4,5

OBSERVACIÓN: la suma de los valores emitidos medidos, considerando la inseguridad respectiva, representa el límite superior que puede alcanzarse en las mediciones.

 ¡Utilizar unos protectores auditivos!

Valores de medición determinados según normativa del producto pertinente.

Cables de prolongación

⚠ ADVERTENCIA En caso de utilizar una extensión, la longitud y la sección de la línea deberá ser la correcta para el trabajo a realizar para evitar una caída de tensión en la línea, una reducción de la potencia, y el sobrecalentamiento de la herramienta eléctrica. De lo contrario, se presentan peligros de origen eléctrico en la extensión y en la herramienta eléctrica, además de reducirse sus prestaciones.

Recomendación para el dimensionamiento de extensiones al operar con una tensión de servicio monofásica de 120 V, conectando una sola herramienta eléctrica WP014-15E/WP014-25E:

Tamaño del conductor en A.W.G.		Sección del cable en mm ²	
14	12	2,5	4,0
Longitud del cable en pies		Longitud del cable en m	
100	150	30	60

Utilización reglamentaria de la herramienta eléctrica.












pulidora portátil para el uso con los útiles y accesorios homologados por FEIN en lugares cubiertos, para pulir en seco, lijar y cepillar superficies de metal, piedra, plástico, madera, materiales compuestos, pinturas/barnices, masilla y materiales similares.






Alimentación de la herramienta eléctrica con un grupo electrógeno.

❗ Este aparato puede ser alimentado también con alternadores de corriente alterna de potencia suficiente, siempre que cumplan con la norma ISO 8528, clase de ejecución G2. De vital importancia para el cumplimiento de dicha norma, es que el factor de distorsión no sea superior al 10%. En caso de duda infórmese al respecto sobre los datos del generador que pretende utilizar.

⚠ ADVERTENCIA Esta prohibido conectar la herramienta eléctrica a generadores de corriente cuya tensión en vacío sea superior a la tensión indicada en la placa de características de la herramienta eléctrica.

Symbole.

Simbolo	Definición
	Acto realizado por el usuario
	Símbolo de prohibición general. ¡Esta acción está prohibida!
	No tocar las piezas en rotación de la herramienta eléctrica.
	¡Seguir las instrucciones indicadas al margen!
	Imprescindible leer los documentos que se adjuntan, como las instrucciones de uso y las instrucciones generales de seguridad.
	Antes de realizar el paso de trabajo descrito, sacar el enchufe de la red. En caso contrario, podría accidentarse al ponerse en marcha fortuitamente la herramienta eléctrica.
	Al trabajar protegerse los ojos.
	Al trabajar utilizar un protector de oídos.
	Al trabajar utilizar una protección para las manos.
	Antes de realizar el paso de trabajo descrito, sacar el enchufe de la red. En caso contrario, podría accidentarse al ponerse en marcha fortuitamente la herramienta eléctrica.
	Este símbolo confirma que este producto ha sido certificado en USA y Canadá.

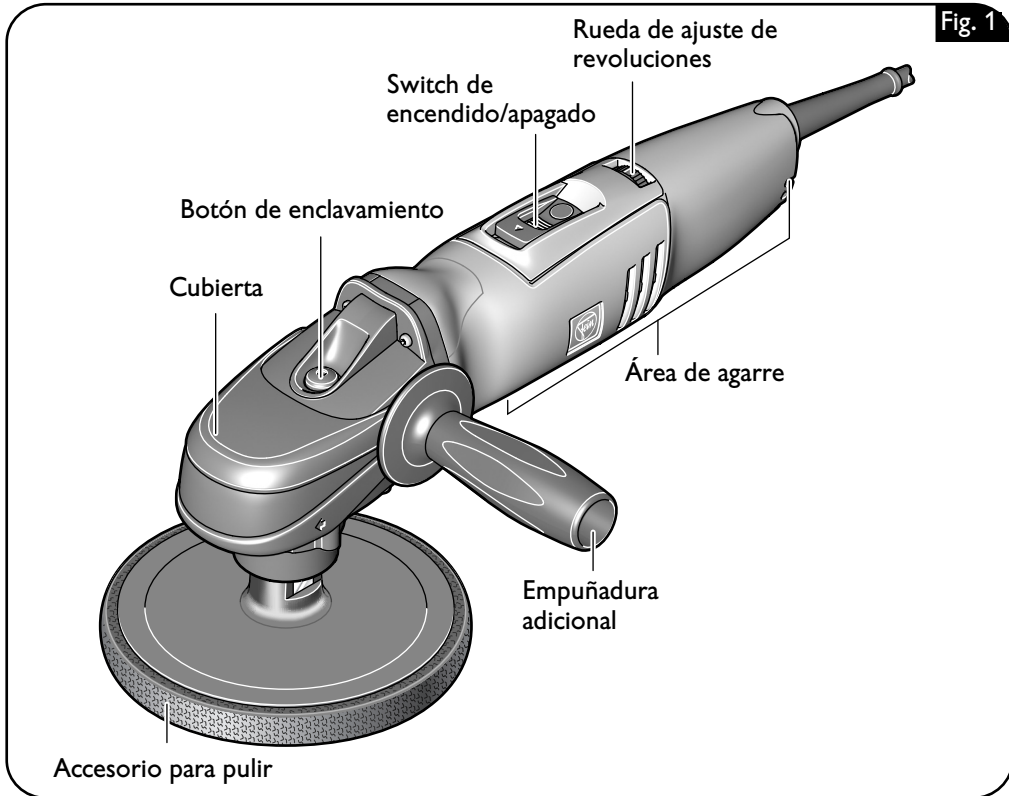
Símbolo	Definición
 PELIGRO	Este símbolo advierte sobre una situación peligrosa inminente. Un comportamiento incorrecto puede dar lugar a una lesión grave o incluso mortal.
 ADVERTENCIA	Este símbolo advierte sobre una situación peligrosa que puede comportar lesiones graves o mortales.
 ATENCIÓN	Este símbolo advierte sobre una situación peligrosa en la que pudiera lesionarse.
	Acumular por separado las herramientas eléctricas y demás productos electrotécnicos y eléctricos inservibles y someterlos a un reciclaje ecológico.
	Producto dotado con un aislamiento doble o reforzado
~ o a. c.	Corriente alterna
1 ~	Corriente alterna monofásica
∅	Diámetro de una pieza redonda

Símbolo	Unidad nacional	Definición
n	rpm	Revoluciones en vacío
P	W	Unidad de medida de la potencia
	°	Unidad de medida del ángulo
U	V	Unidad de medida de la tensión eléctrica
f	Hz	Unidad de medida de la frecuencia
I	A	Unidad de medida de la intensidad
m	kg, lbs	Unidad de medida de la masa
l	ft, in	Unidad de medida para la longitud, anchura, altura o profundidad
	m, s, kg, A, mm, V, W, Hz, N, °C, dB, min, m/s ²	Unidades básicas y unidades derivadas del sistema internacional de unidades SI .

Descripción técnica y especificaciones.

⚠ ADVERTENCIA Saque la clavija del enchufe antes de montar o cambiar los útiles y accesorios. Esta medida de seguridad preventiva evita los accidentes que pudieran presentarse en caso de una puesta en marcha involuntaria.

El material suministrado de serie con su herramienta eléctrica puede que no corresponda en su totalidad al material descrito o mostrado en estas instrucciones de uso.



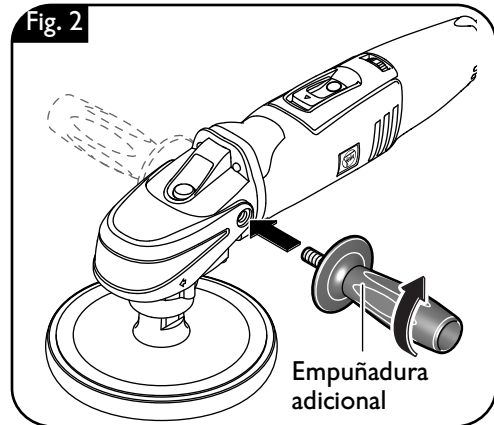
Tipo	WP014-15E	WP014-25E
Nº de referencia	7 221 48	7 221 49
Potencia absorbida	1200 W	1200 W
Potencia útil	750 W	750 W
Tensión de red	1 ~	1 ~
Revoluciones en vacío	500–1500 rpm	900–2500 rpm
Diámetro máx. del plato pulidor	9 in 230 mm	9 in 230 mm
Rosca de la brida de apriete	5/8 in–11 UNC	5/8 in–11 UNC
Longitud de rosca del eje	3/4 in 20 mm	3/4 in 20 mm
Peso según EPTA-Procedure 01/2003	5,5 lbs (2,5 kg)	5,5 lbs (2,5 kg)
Clase de protección	II □	II □

Instrucciones de montaje.

⚠ ADVERTENCIA Saque la clavija del enchufe antes de montar o cambiar los útiles y accesorios. Esta medida de seguridad preventiva evita los accidentes que pudieran presentarse en caso de una puesta en marcha involuntaria.

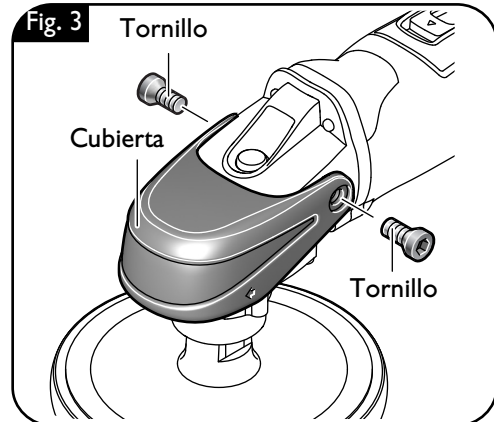
Montaje de la empuñadura adicional (Figura 2).

► Dependiendo de la aplicación enrosque la empuñadura adicional a la derecha o izquierda de la herramienta eléctrica.



Montaje de la cubierta de agarre (Figura 3).

► Coloque la cubierta de agarre sobre el cabezal del engranaje y sujétela con los 2 tornillos.



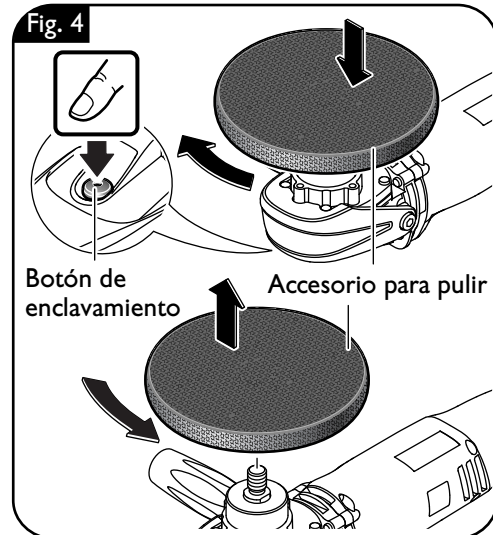
Cambio de útil.

⚠ ADVERTENCIA Saque la clavija del enchufe antes de montar o cambiar los útiles y accesorios.

Esta medida de seguridad preventiva evita los accidentes que pudieran presentarse en caso de una puesta en marcha involuntaria.

Montaje del accesorio para pulir (Figura 4).

- ⓘ Solamente accione el botón de enclavamiento con el motor detenido.
 - Presione y mantenga apretado el botón de retención.
- ⚠ Cambie el accesorio para pulir desgastado o monte uno nuevo.
 - Presione y mantenga apretado el botón de retención. Enrosque firmemente el accesorio para pulir.



Instrucciones para la operación.

⚠ ADVERTENCIA Saque la clavija del enchufe antes de montar o cambiar los útiles y accesorios.

Esta medida de seguridad preventiva evita los accidentes que pudieran presentarse en caso de una puesta en marcha involuntaria.

- ⓘ Solamente use los útiles que FEIN haya previsto y autorizado para el trabajo que vaya a realizar.

Conexión y desconexión (Figura 5).

⚠ ADVERTENCIA Cerciérese primeramente del perfecto estado del cable de red y del enchufe.

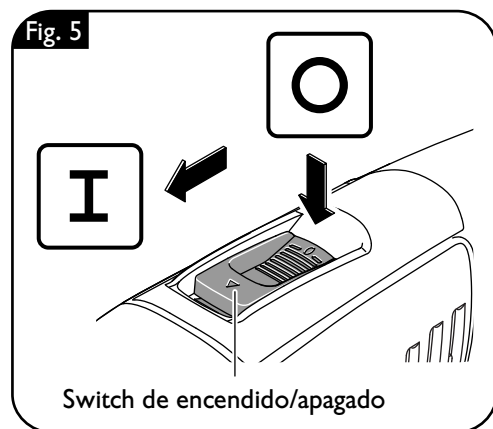
⚠ ATENCIÓN Siempre sujete firmemente la herramienta eléctrica. En caso contrario podría perder el control sobre la herramienta eléctrica.

Conexión:

- Empuje hacia delante (I) el interruptor.

Desconexión:

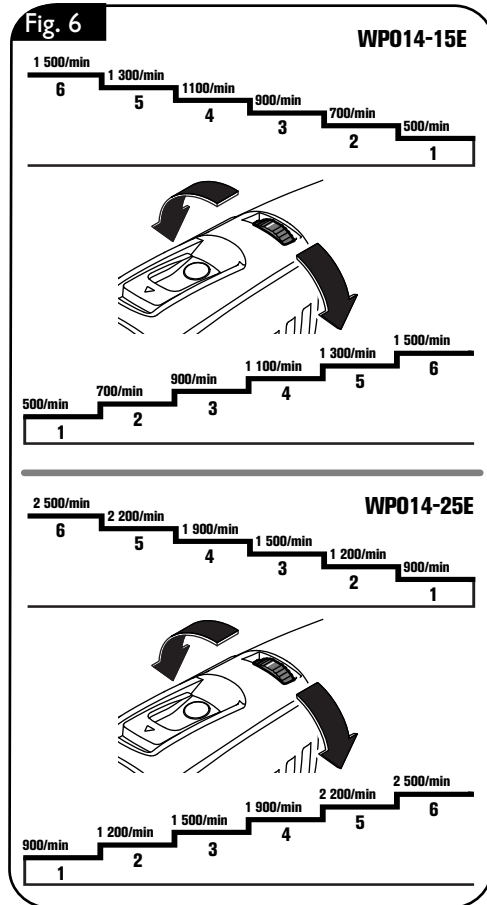
- Presione hacia dentro el conmutador (O).



Ajuste de las revoluciones (Figura 6).

Las revoluciones puede variarse dentro del margen y en la forma indicada en la siguiente figura.

- Gire la rueda de ajuste entre “1” para las revoluciones más bajas y “6” para las revoluciones más altas.



Sujeción de la pieza de trabajo.

! Sujete correctamente la pieza de trabajo.

Una pieza de trabajo incorrectamente sujeta puede provocar, p. ej., que se atasque y sea rechazado el útil, que se caiga la pieza de trabajo, u otros tipos de incidente peligrosos.

Mantenimiento.

⚠ ADVERTENCIA Saque la clavija del enchufe antes de montar o cambiar los útiles y accesorios. Esta medida de seguridad preventiva evita los accidentes que pudieran presentarse en caso de una puesta en marcha involuntaria.

Servicio técnico

⚠ ADVERTENCIA Únicamente deje realizar los trabajos de mantenimiento por un profesional. Las líneas y componentes mal montados pueden suponer un grave peligro. Deje efectuar el servicio requerido por un servicio técnico FEIN.

Limpieza

⚠ ADVERTENCIA Con el fin de evitar accidentes, saque de la alimentación el enchufe de la herramienta eléctrica antes de realizar en la misma cualquier tipo de trabajo de limpieza o de mantenimiento.

⚠ ADVERTENCIA Si el aire ambiente contiene material en polvo conductor, p. ej., al trabajar metales, puede que este material llegue a depositarse en el interior de la herramienta eléctrica. Ello puede mermar la eficacia del aislamiento de protección de la herramienta eléctrica. Por ello, se recomienda soplar con regularidad desde afuera, por las rejillas de refrigeración, el interior de la herramienta eléctrica con aire comprimido seco y exento de aceite, utilizando en ello siempre una protección para los ojos. Intercale un interruptor diferencial (FI) como medida de protección adicional.

! No intente limpiar las rejillas de refrigeración de la herramienta eléctrica con objetos metálicos en punta, emplee para ello objetos que no sean de metal.

! **No aplique agentes de limpieza ni disolventes que pudieran atacar a las piezas de plástico.** Algunos de estos agentes son: gasolina, tetracloruro de carbono, disolventes clorados, amoníaco y detergentes domésticos que contengan amoníaco.

! En caso de que se dañe el cable de alimentación de la herramienta eléctrica, es necesario que un profesional se encargue de sustituirlo por un cable de alimentación especial disponible a través de uno de los servicios técnicos FEIN.

Si fuese preciso, puede sustituir Ud. mismo las piezas siguientes: Útiles, empuñadura adicional, caperuza de empuñadura, mandriles, bridas.

Garantía.

La garantía del producto se realiza de acuerdo a las regulaciones legales vigentes en el país de adquisición.

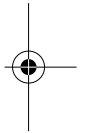
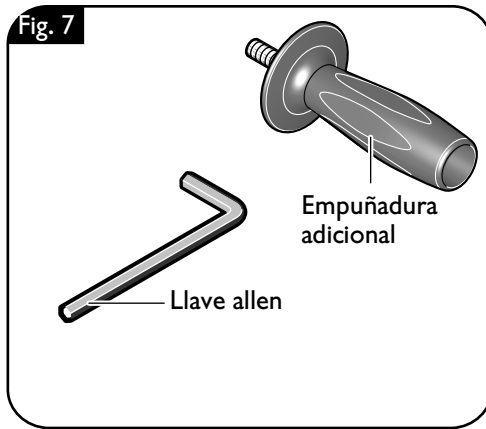
Adicionalmente, FEIN ofrece una garantía ampliada de acuerdo con la declaración de garantía del fabricante FEIN. Detalles al respecto los puede obtener en su comercio especializado habitual, la representante FEIN en su país, o un servicio técnico FEIN.

Protección del medio ambiente, eliminación.

Los embalajes, y las herramientas eléctricas y accesorios inservibles deberán entregarse a los puntos de recogida correspondientes para que puedan ser sometidos a un reciclaje ecológico. Más informaciones al respecto las obtendrá en su comercio especializado habitual.



Palanca de fijación rápida (Figura 7).





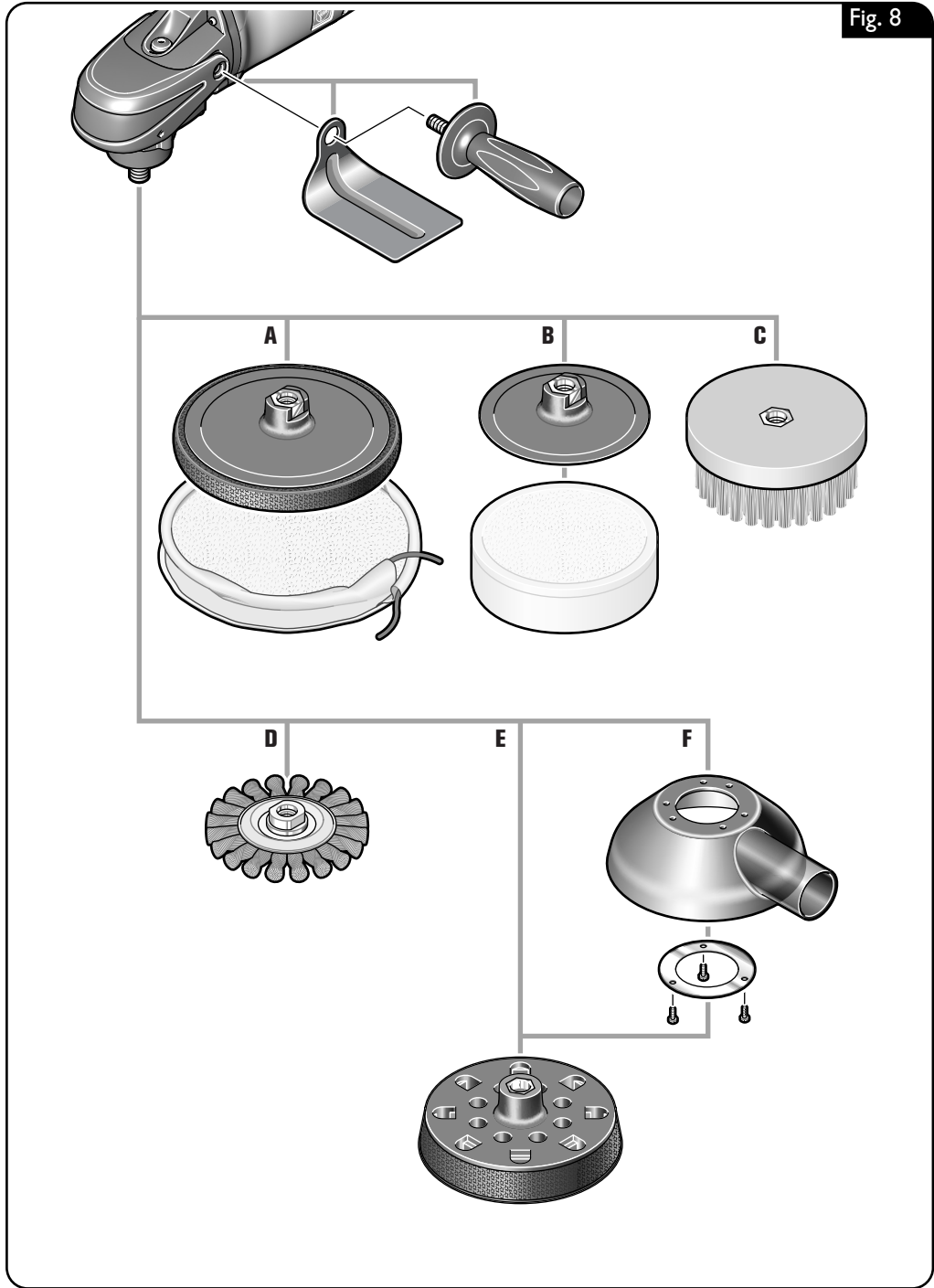
Accesorios disponibles (ver figuras 8 – 11).

Los accesorios deberán ser los apropiados para el tipo de herramienta eléctrica utilizado.

- A Plato soporte para piel de cordero con cordón de sujeción
- B Plato lijador con cierre Velcro, hojas de lijar y vellón de lijar con cierre de cardillo, esponjas, piel de cordero
- C Cepillo de vaso
- D Cepillo de vaso de alambre de acero
- E Plato lijador
- F Caperuza de aspiración
- G Disco pulidor de cretona/franela
- H Rueda abrasiva de láminas
- I Plato pulidor
- J Vellón de lijar, poleas para pulir
- K Cilindro lijador elástico, cilindro de láminas de vellón
- L Rodillo para cinta de lijar
- M Cilindro de expansión para casquillos de lija



Fig. 8



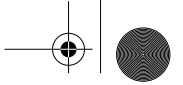


Fig. 9

